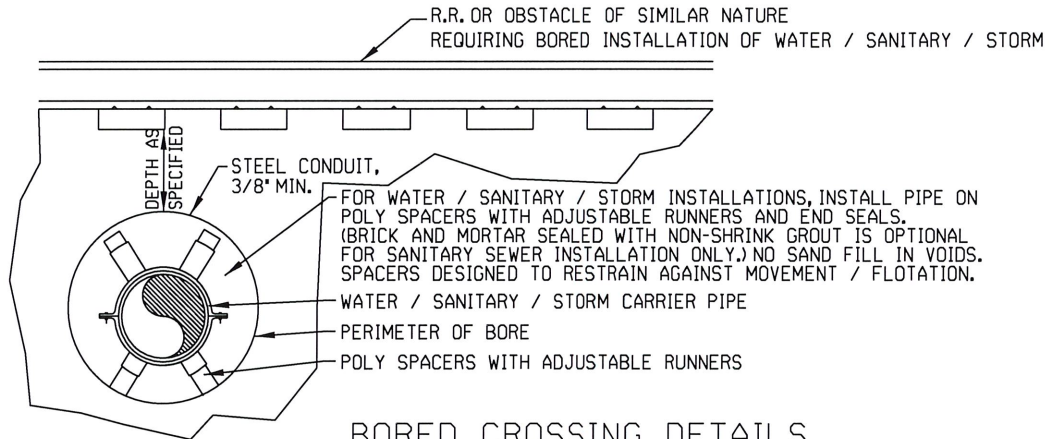


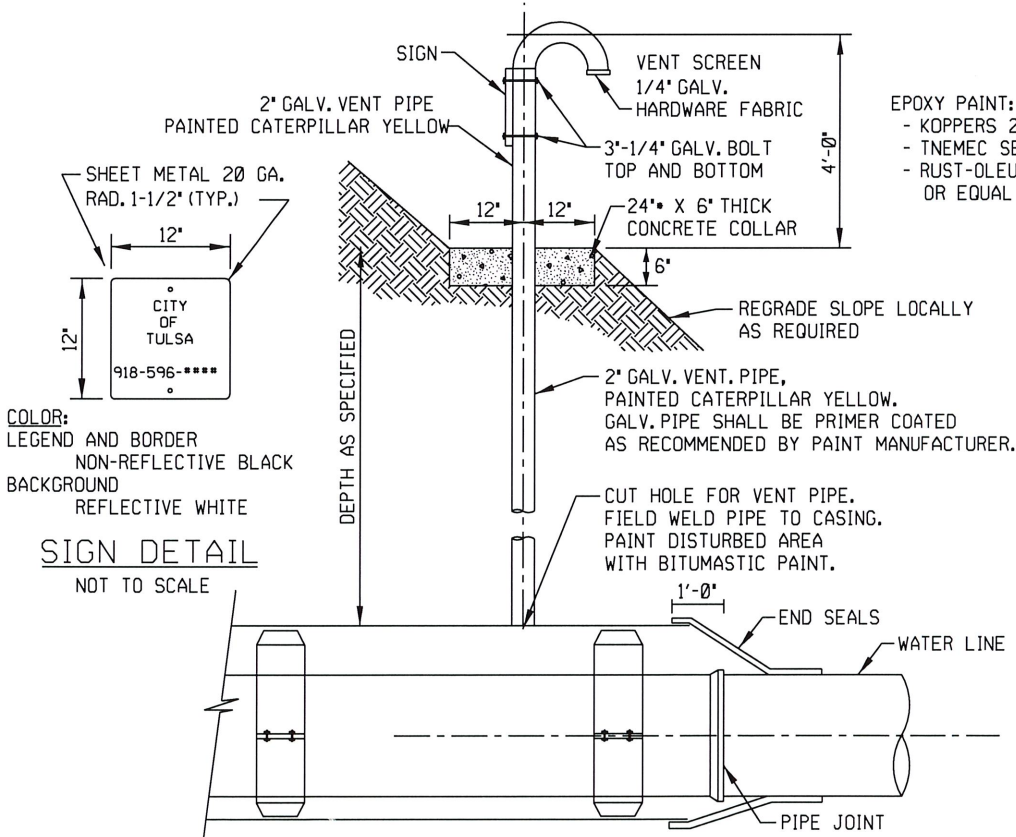
TYPICAL BORE WITH PIPE INSTALLED

LONGITUDINAL VIEW
NOT TO SCALE



BORED CROSSING DETAILS

NOT TO SCALE



- EPOXY PAINT:**
- KOPPERS 200
 - NEMEC SER. 66 EPOXOLINE
 - RUST-OLEUM 9100 HIGH PERFORMANCE EPOXY, OR EQUAL

COLOR:
LEGEND AND BORDER
NON-REFLECTIVE BLACK
BACKGROUND
REFLECTIVE WHITE

SIGN DETAIL

NOT TO SCALE

ALTERNATE VENT PIPES AT CONDUIT ENDS

NOT TO SCALE

BORE/OPEN CUT CONDUIT DETAIL	
CITY OF TULSA, OKLAHOMA ENGINEERING SERVICES DEPARTMENT	
DRAWN BY: R.M.O.	APPROVED
CHECKED BY: HAS	
DATE: MARCH 2022	
NOT TO SCALE	STANDARD NO. 307