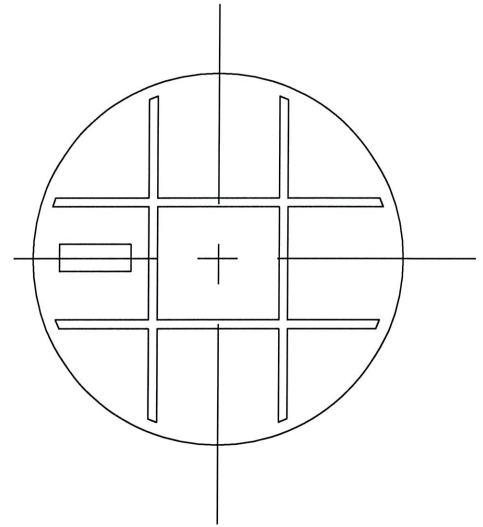
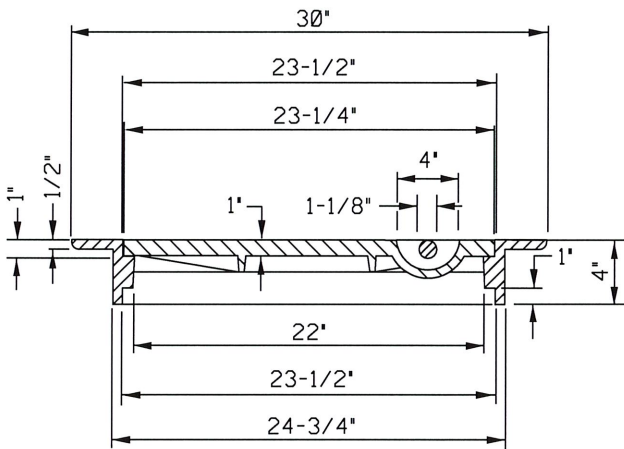


LID AND FRAME - TOP VIEW



LID - BOTTOM VIEW



LID AND FRAME

NOTE:

1. FURNISHED WITH MACHINED HORIZONTAL BEARING SURFACE.
2. BACK SIDE OF COVER READS:  
MADE IN USA,  
JULIAN HEAT DATE  
AASHTO A48 35B
3. FRAME IS REVERSIBLE, AND CAN BE INSTALLED WITH FLANGE UP OR DOWN.
4. NOT TO BE USED IN PAVED AREAS SUBJECT TO VEHICLE TRAFFIC.

PATH NAME: /E1/PARTS/STD/DGN\_STDS/312-FRAMELID-VAULT.DGN LFM 05/24/2012

STANDARD DETAIL FRAME AND LID FOR WATER VAULTS	
CITY OF TULSA, OKLAHOMA ENGINEERING SERVICES DEPARTMENT	
DRAWN BY: R.M.O. CHECKED BY: <i>HAS</i> DATE: MARCH 2022	APPROVED <i>Melroy</i>
NOT TO SCALE	STANDARD NO. 312