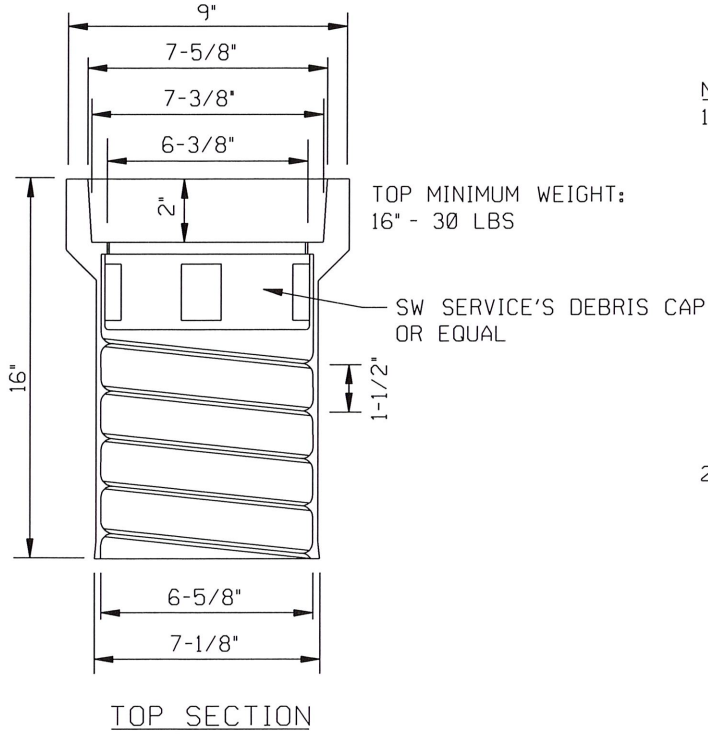
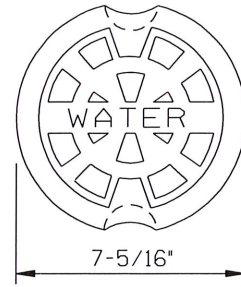
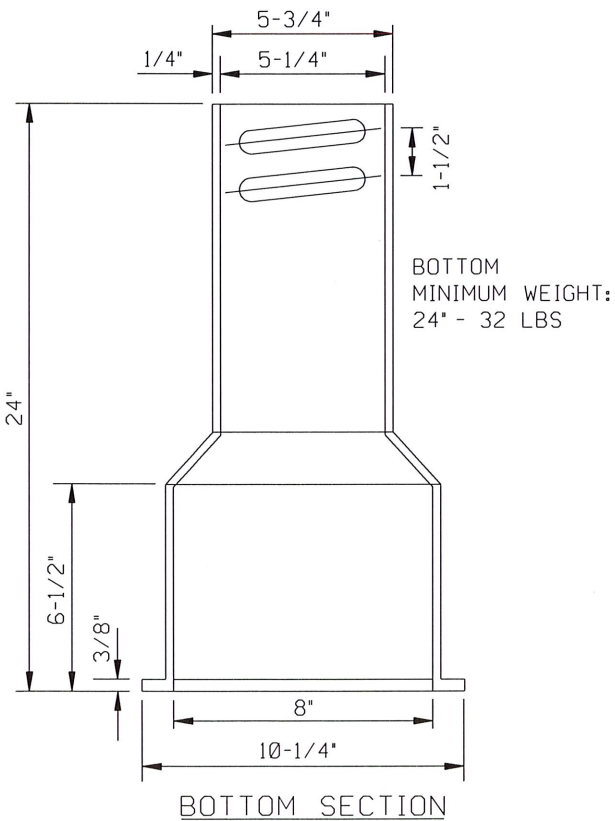


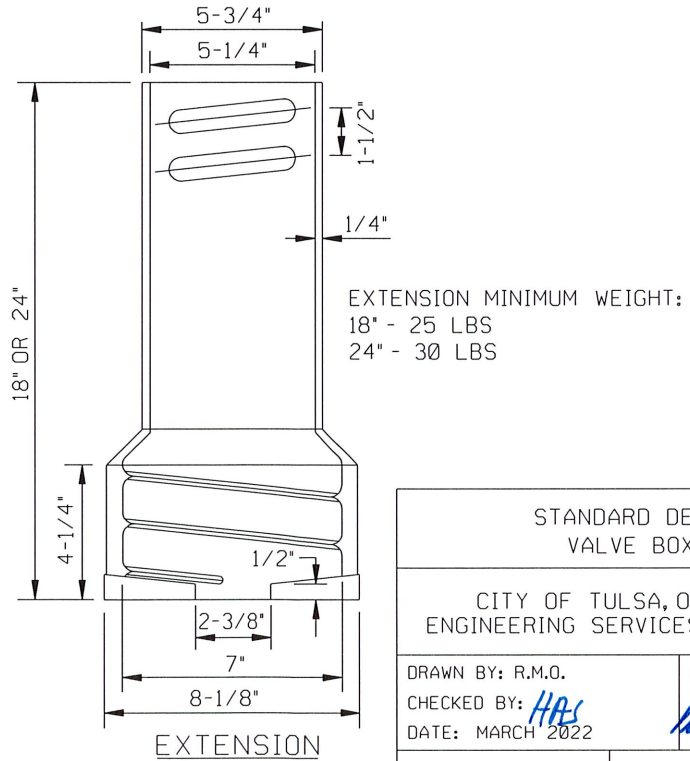
DROP LID



TOP SECTION



BOTTOM SECTION



EXTENSION

NOTE:

1. VALVE BOXES REQUIRING MORE THAN TWO (2) EXTENSION SECTIONS SHALL BE EXTENDED USING:

- A. FOR PAVEMENT, 8" DIP PLAIN END (PE) WITH A BOTTOM SECTION PLACED ON TOP OF THE DIP PE.
- B. FOR OUTSIDE PAVEMENT, 8" DIP PLAIN END (PE) OR 8" C900 DR14 PVC PIPE WITH A BOTTOM SECTION PLACED ON TOP OF THE DIP PE OR C900 DR14 PVC PIPE.

2. TOP SECTION SHALL BE ADJUSTED TO MEET PROPOSED FINISH GRADE.

STANDARD DETAIL VALVE BOX	
CITY OF TULSA, OKLAHOMA ENGINEERING SERVICES DEPARTMENT	
DRAWN BY: R.M.O. CHECKED BY: <i>HAS</i> DATE: MARCH 2022	APPROVED <i>[Signature]</i>
NOT TO SCALE	STANDARD NO. 313