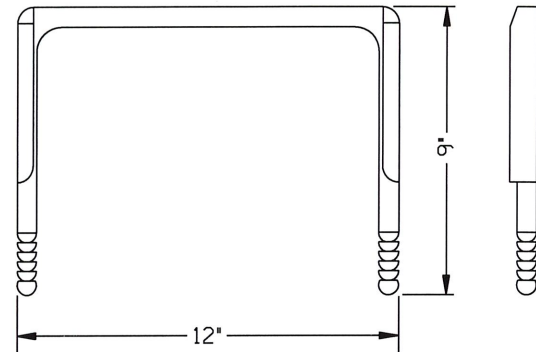
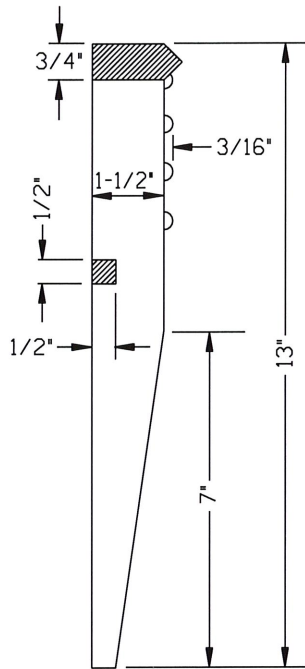


STANDARD STEP
1/4 SCALE



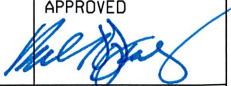
ALTERNATE STEP 2
1/6 SCALE

COPOLYMER POLYPROPYLENE
PLASTIC PSI - PF MANHOLE STEP,
USING THE 1/2" GRADE 60 REBAR.

SEE STANDARD 366 - STANDARD DETAIL FOR
MANHOLE STEP LOCATION AND INVERT DETAILS.

(REINFORCED STEEL, EPOXY OR RESILIENT COATED)

1/2" REINFORCING BAR MEETING ASTM DESIGNATION A15 ENCASED
IN NATURAL CORROSION-RESISTANT RUBBER OR EPOXY WITH A TRACTION
TREAD OF RESILIENT RUBBER OR EPOXY MEETING ASTM DESIGNATION C443.

STANDARD DETAIL MANHOLE STEPS	
CITY OF TULSA, OKLAHOMA ENGINEERING SERVICES DEPARTMENT	
DRAWN BY: R.M.O. CHECKED BY: <i>HPL</i> DATE: MARCH 2022	APPROVED 
NOT TO SCALE	STANDARD NO. 314