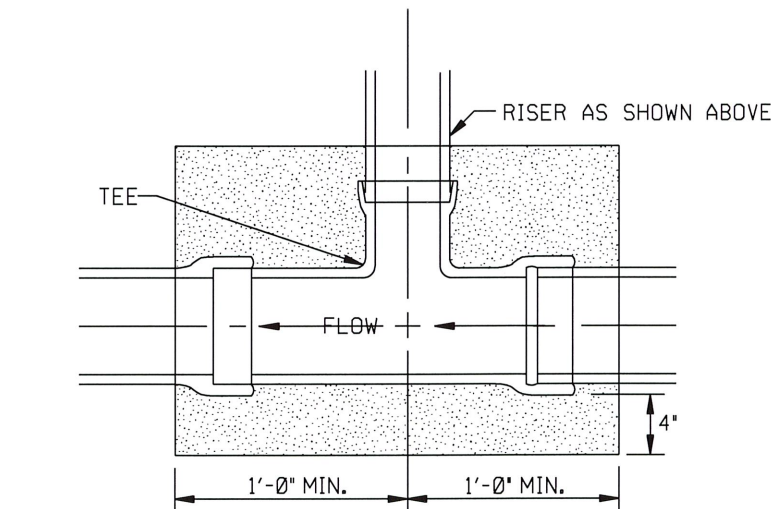
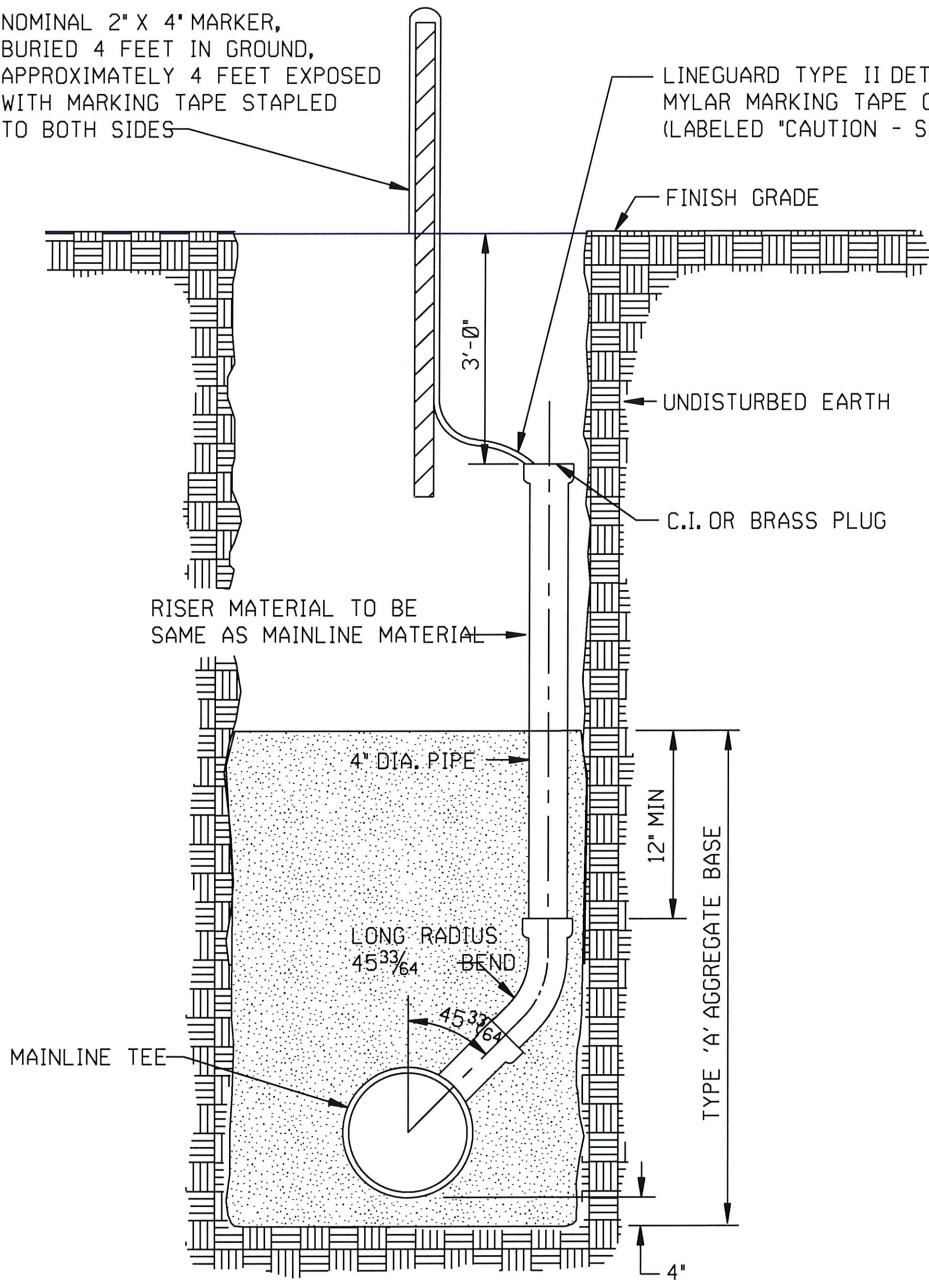


NOMINAL 2" X 4" MARKER,  
BURIED 4 FEET IN GROUND,  
APPROXIMATELY 4 FEET EXPOSED  
WITH MARKING TAPE STAPLED  
TO BOTH SIDES

LINEGUARD TYPE II DETECTABLE  
MYLAR MARKING TAPE OR EQUAL  
(LABELED "CAUTION - SEWER LINE BELOW")



RISER DETAIL	
CITY OF TULSA, OKLAHOMA ENGINEERING SERVICES DEPARTMENT	
DRAWN BY: R.M.O. CHECKED BY: <i>HAS</i> DATE: MARCH 2022	APPROVED 
NOT TO SCALE	STANDARD NO. 362