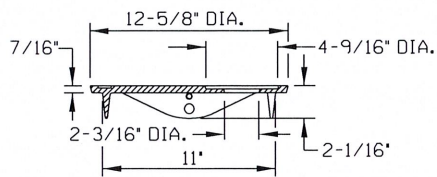
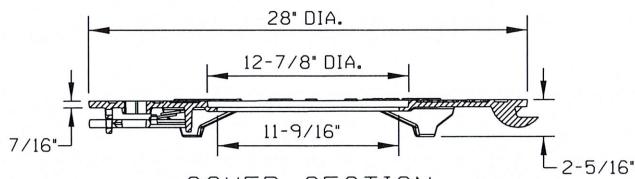


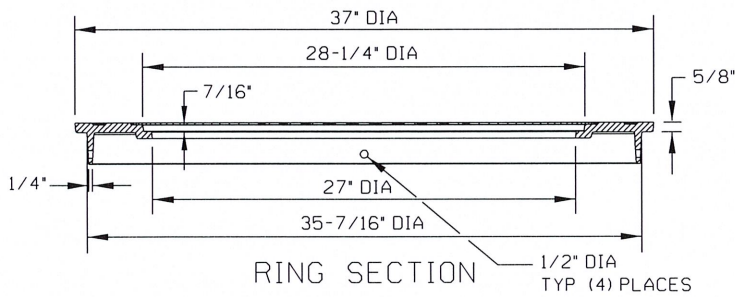
TOP VIEW



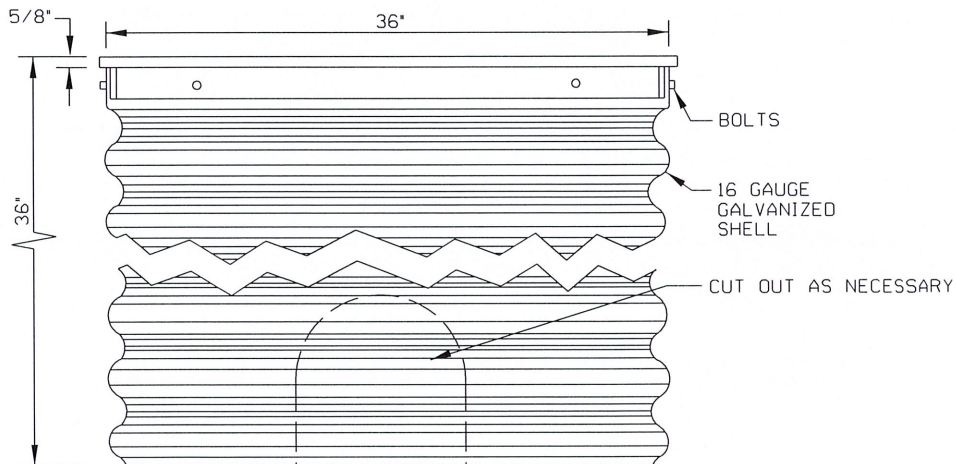
COVER SECTION



COVER SECTION



RING SECTION



METER CAN WITH RIM AND LID  
FOR 1-1/2" WATER METER INSTALLATION

CITY OF TULSA, OKLAHOMA  
ENGINEERING SERVICES DEPARTMENT

DRAWN BY: R.M.O.

APPROVED

CHECKED BY: *HAL*

DATE: MARCH 2022

NOT TO SCALE

STANDARD NO. 506