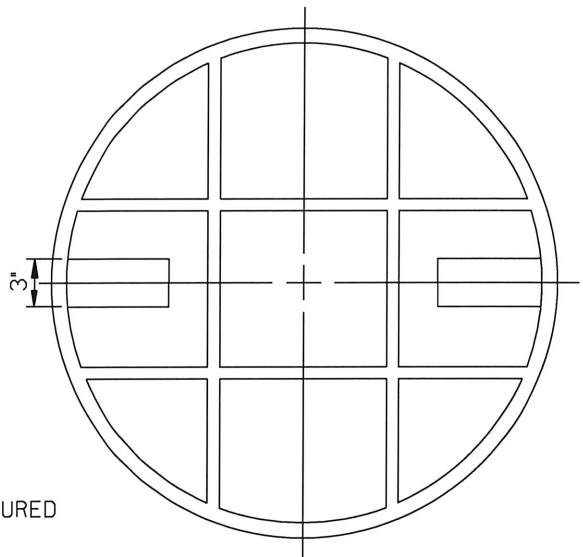
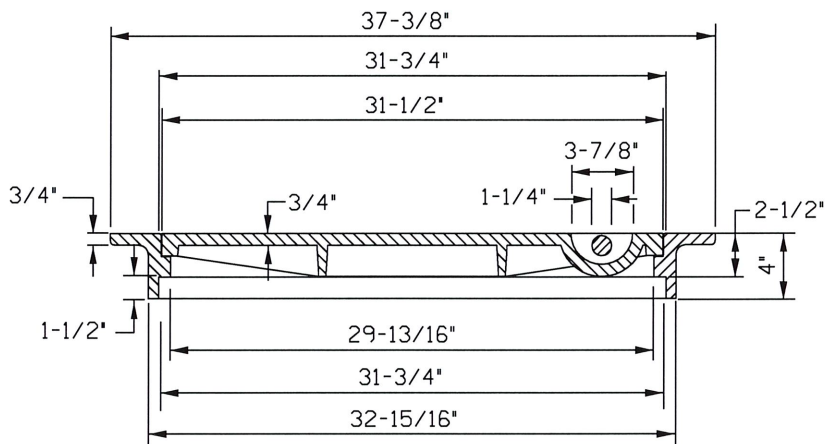


LID AND FRAME - TOP VIEW



LID - BOTTOM VIEW



LID AND FRAME

NOTE:

1. FURNISHED WITH MACHINED HORIZONTAL BEARING SURFACE.
2. BACK SIDE OF COVER READS: MADE IN USA, JULIAN HEAT DATE AASHTO A48 35B
3. BOTTOM REINFORCEMENT CONFIGURATION MAY VARY ACCORDING TO MANUFACTURER. HOWEVER, ALL LIDS AND FRAMES SHALL CONFORM TO AND BE TESTED IN ACCORDANCE WITH THE STANDARD SPECIFICATION FOR GRAY IRON CASTINGS, ASTM A48, AND DRAINAGE STRUCTURE CASTINGS, AASHTO DESIGNATION: M306-89.
4. ALL LIDS AND FRAMES SHALL MEET THE PROOF LOAD TEST AS SPECIFIED IN AASHTO DESIGNATION M306-89, REPRESENTING A 2.5 SAFETY FACTOR OVER H-20 AND HS-20 LOADING.
5. STACKING LUGS SHALL BE ADDED, IF REQUIRED TO ALLOW CONVENIENT YARD SPACE.
6. NOT TO BE USED IN PAVED AREAS SUBJECT TO VEHICLE TRAFFIC.

PATH NAME: /E1/PARTS/STD/DCN.STDS/754-FRAMELID-5FTIDMH-STM.DGN LFM 05/29/2012

STANDARD DETAIL FRAME AND LID FOR 6' AND 8' I.D. STORMWATER MANHOLE AND JUNCTION BOXES	
CITY OF TULSA, OKLAHOMA ENGINEERING SERVICES DEPARTMENT	
DRAWN BY: R.M.O. CHECKED BY: <i>HAS</i> DATE: MARCH 2022	APPROVED <i>[Signature]</i>
NOT TO SCALE	STANDARD NO. 754