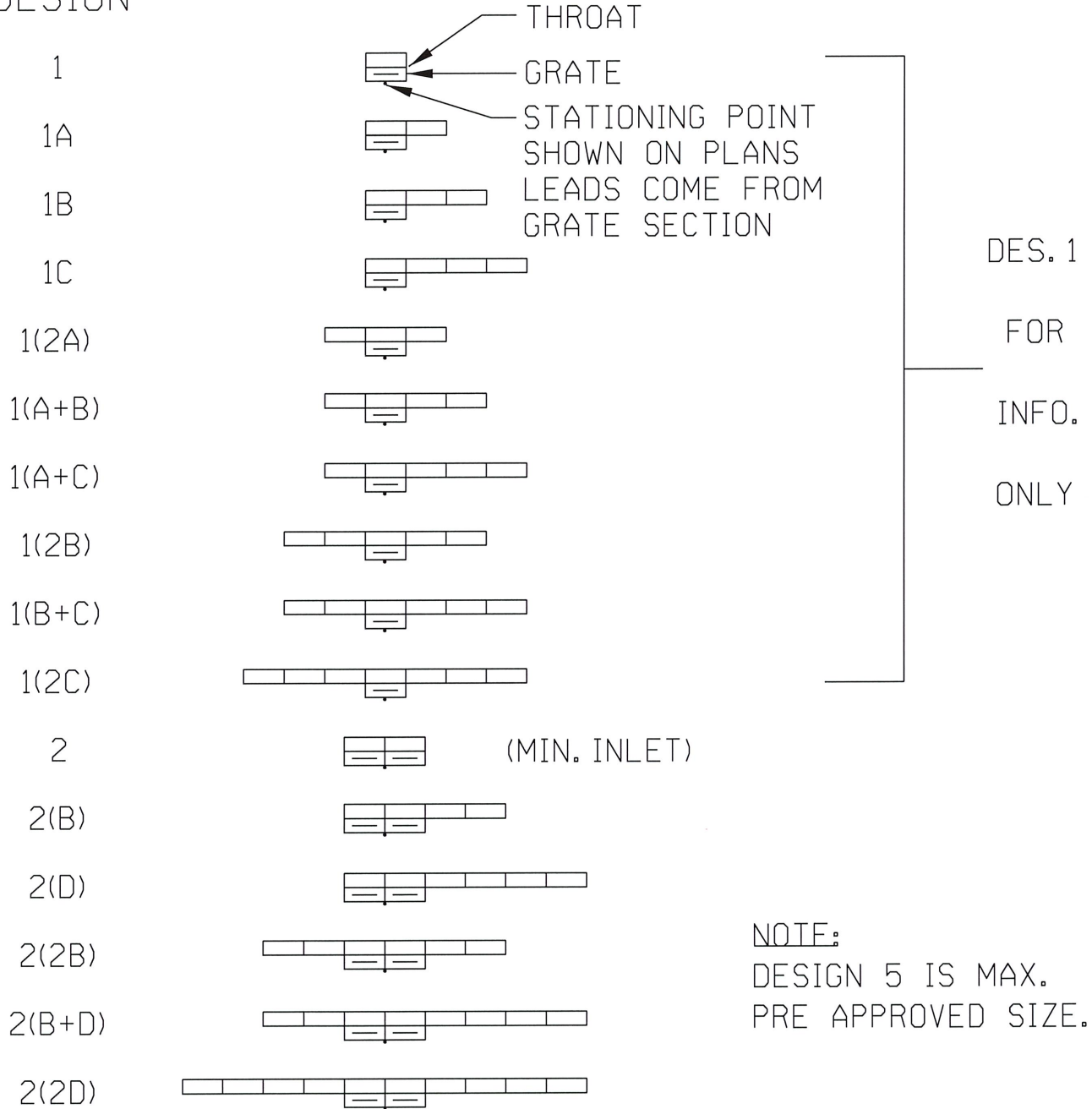


DIRECTION OF STATIONING



CONFIGURATIONS INCLUDE, BUT ARE NOT LIMITED TO, THE FOLLOWING:

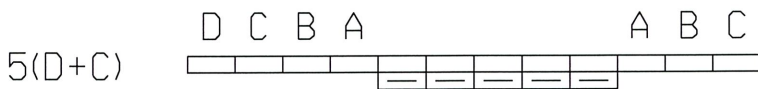
DESIGN



DES. 1
FOR
INFO.
ONLY

NOTE:
DESIGN 5 IS MAX.
PRE APPROVED SIZE.

EXAMPLE DESIGN:



CONFIGURATIONS OF CAST IRON CURB INLETS	
CITY OF TULSA, OKLAHOMA ENGINEERING SERVICES DEPARTMENT	
DRAWN BY: R.M.O.	APPROVED
CHECKED BY: <i>HAS</i>	
DATE: MARCH 2022	
NOT TO SCALE	STANDARD NO. 755