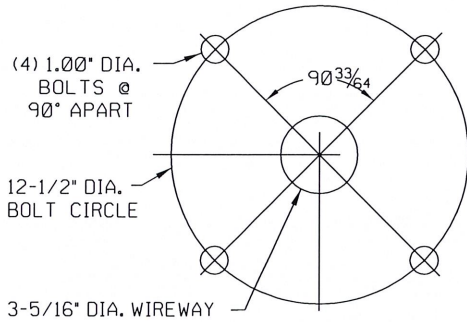
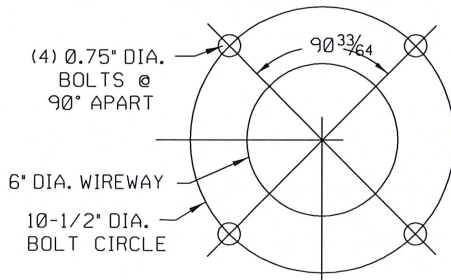


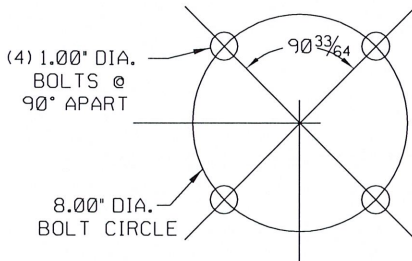
STD 800 ANCHOR BOLT LAYOUT
SCALE: NONE



STD 801 ANCHOR BOLT LAYOUT
SCALE: NONE



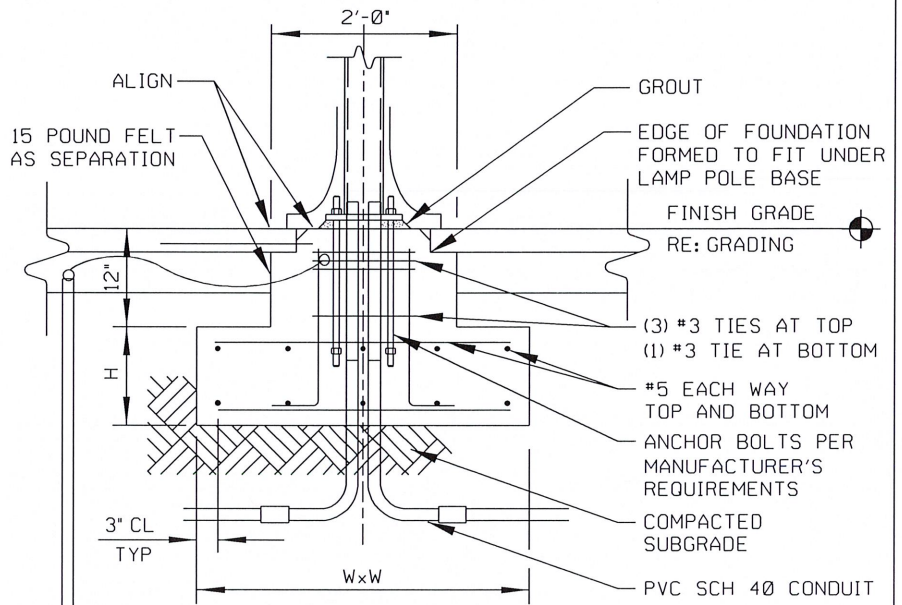
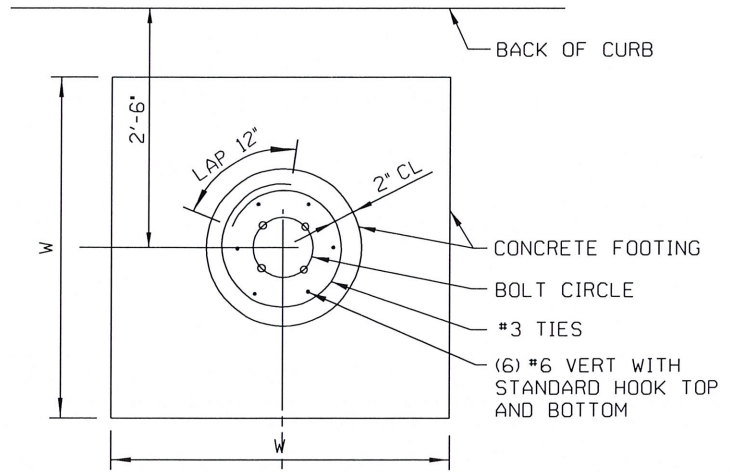
STD 802A ANCHOR BOLT LAYOUT
SCALE: NONE



STD 802B ANCHOR BOLT LAYOUT
SCALE: NONE

REFER TO MANUFACTURER
FOR GEOMETRY OF POLE BASE
NOT SHOWN

CAUTION:
CONTRACTOR DETERMINE
LOCATIONS OF EXISTING
WATERLINE AND OTHER
UTILITIES



STD	WxWxH	REINF
800	48"x48"x12"	(4)-#5 E.W. TOP AND BOTTOM
801	52"x52"x12"	(5)-#5 E.W. TOP AND BOTTOM
802A	48"x48"x12"	(4)-#5 E.W. TOP AND BOTTOM
802B	54"x54"x12"	(5)-#5 E.W. TOP AND BOTTOM

SHALLOW LIGHTPOLE FOUNDATION
SCALE: NONE

SHALLOW LIGHTPOLE BASE DETAIL

CITY OF TULSA, OKLAHOMA
ENGINEERING SERVICES DEPARTMENT

DRAWN BY: R.M.O.
CHECKED BY: *HAS*
DATE: MARCH 2022

APPROVED:
[Signature]

NOT TO SCALE

STANDARD NO. 805