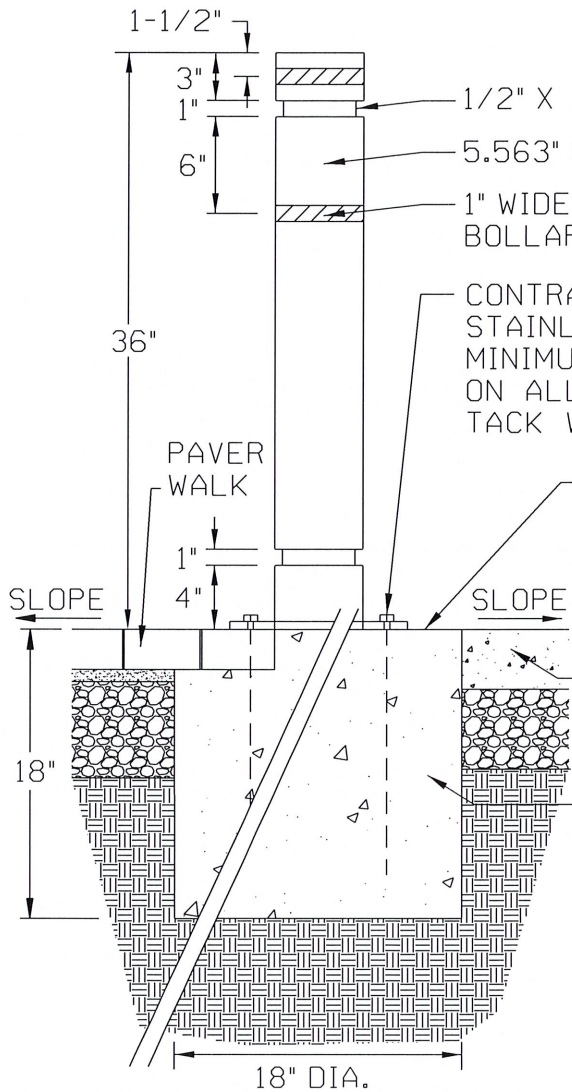


5/8" LARGE AND HEAVY BASE PLATE



1/2" X 1" REVEAL-TYP. TOP AND BOTTOM

5.563" O.D. SCH 10 STEEL PIPE. POWDER COAT FINISH.

1" WIDE WHITE REFLECTIVE TAPE. INSTALL ON ALL BOLLARDS UNLESS OTHERWISE APPROVED BY CITY ENGINEER.

CONTRACTOR TO PROVIDE AND INSTALL 18" X 1/2" STAINLESS STEEL ALL-THREAD EPOXIED INTO FOOTING A MINIMUM OF 15". PLACE STAINLESS STEEL WASHER AND NUT ON ALL-THREAD AND CUT FLUSH WITH THE TOP OF THE NUT. TACK WELD NUT IN PLACE.

SURFACE GRADE OF CONCRETE OR UNIT PAVING. WHERE PAVERS ARE USED, HOLD TOP OF FOOTING DOWN AND AFFIX PAVERS TO TOP OF FOOTING WITH MASONRY ADHESIVE/GLUE. SUBMIT PROPOSED PRODUCT FOR APPROVAL BY THE CITY OF TULSA.

CONCRETE WALK REF. STANDARD PAVING DETAILS 810 AND 811 FOR MATERIALS AND DEPTHS.

CONCRETE FOOTING

NOTE:

- 1. ACCEPTABLE MANUFACTURERS
 - FAIRWEATHER SITE FURNISHINGS
 - CREATIVE PIPE

BOLLARD - SURFACE MOUNTED	
CITY OF TULSA, OKLAHOMA ENGINEERING SERVICES DEPARTMENT	
DRAWN BY: R.M.O. CHECKED BY: <i>HAS</i> DATE: MARCH 2022	APPROVED: <i>[Signature]</i>
NOT TO SCALE	STANDARD NO. 822