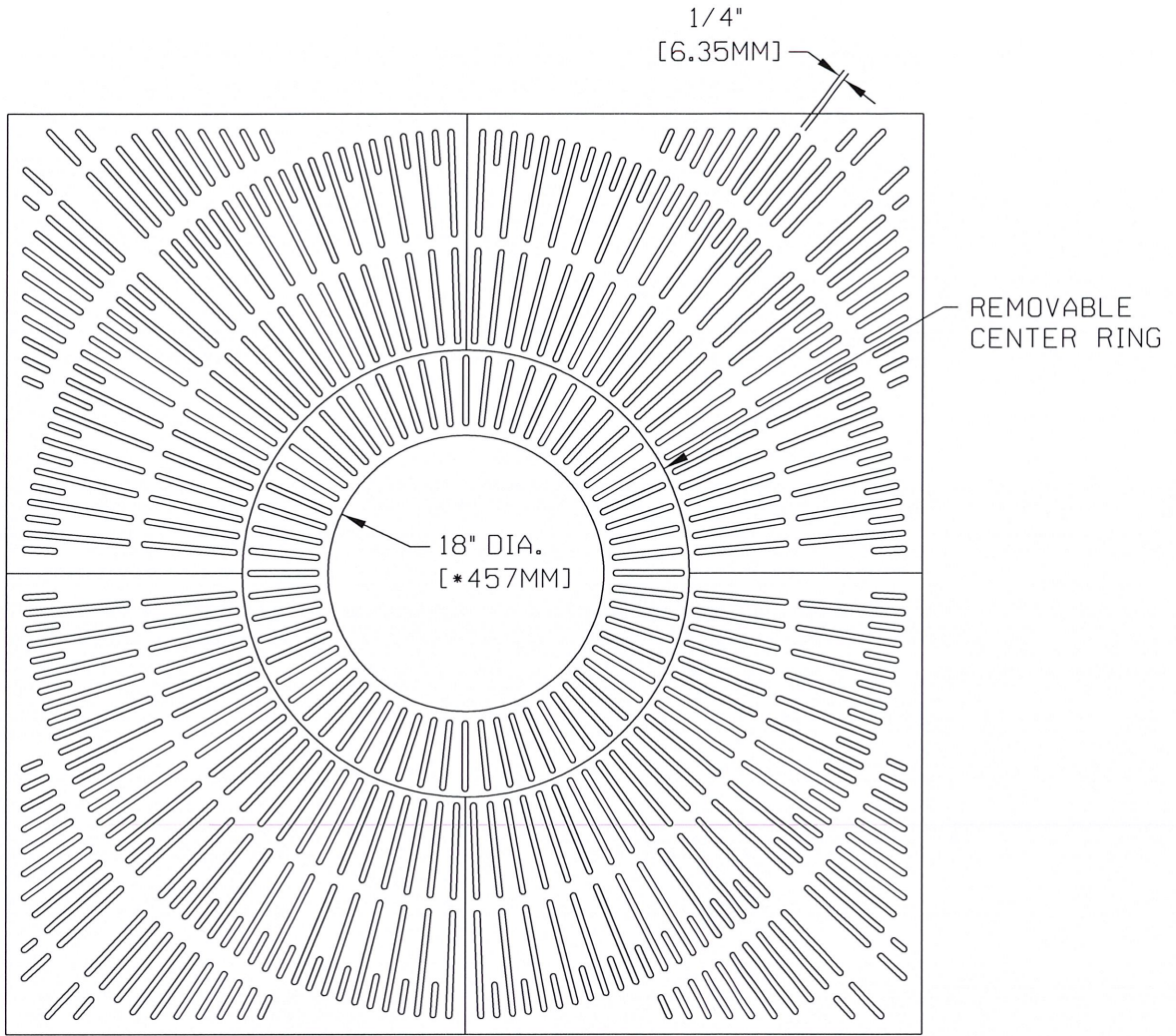
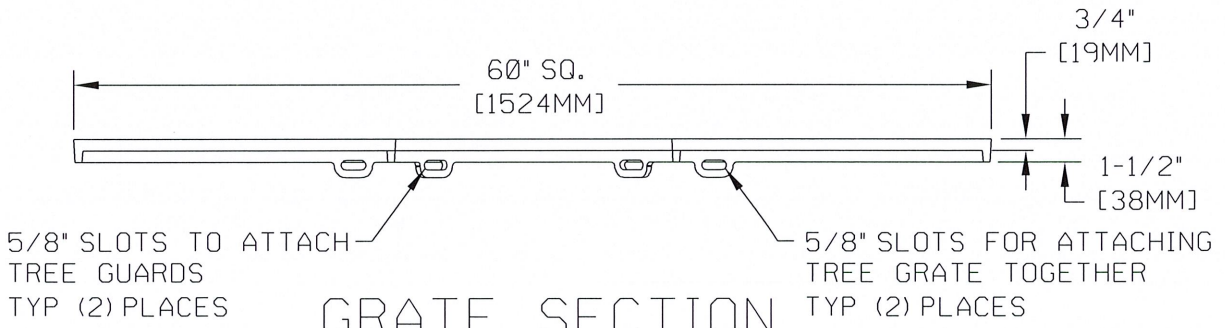


PATH: /e1/parts/std/DGN_stds/833-ADATreeGrateSet.dgn SBW 12/11/2014



PLAN VIEW




GRATE SECTION

LOAD RATING
NON-TRAFFIC

COATING
UNDIPPED

SPECIFICATION
GRATE - GRAY IRON
ASTM A48 CL35B

ADA TREE GRATE SET	
CITY OF TULSA, OKLAHOMA ENGINEERING SERVICES DEPARTMENT	
DRAWN BY: R.M.O. CHECKED BY: HAJ DATE: MARCH 2022	APPROVED 
NOT TO SCALE	STANDARD NO. 833