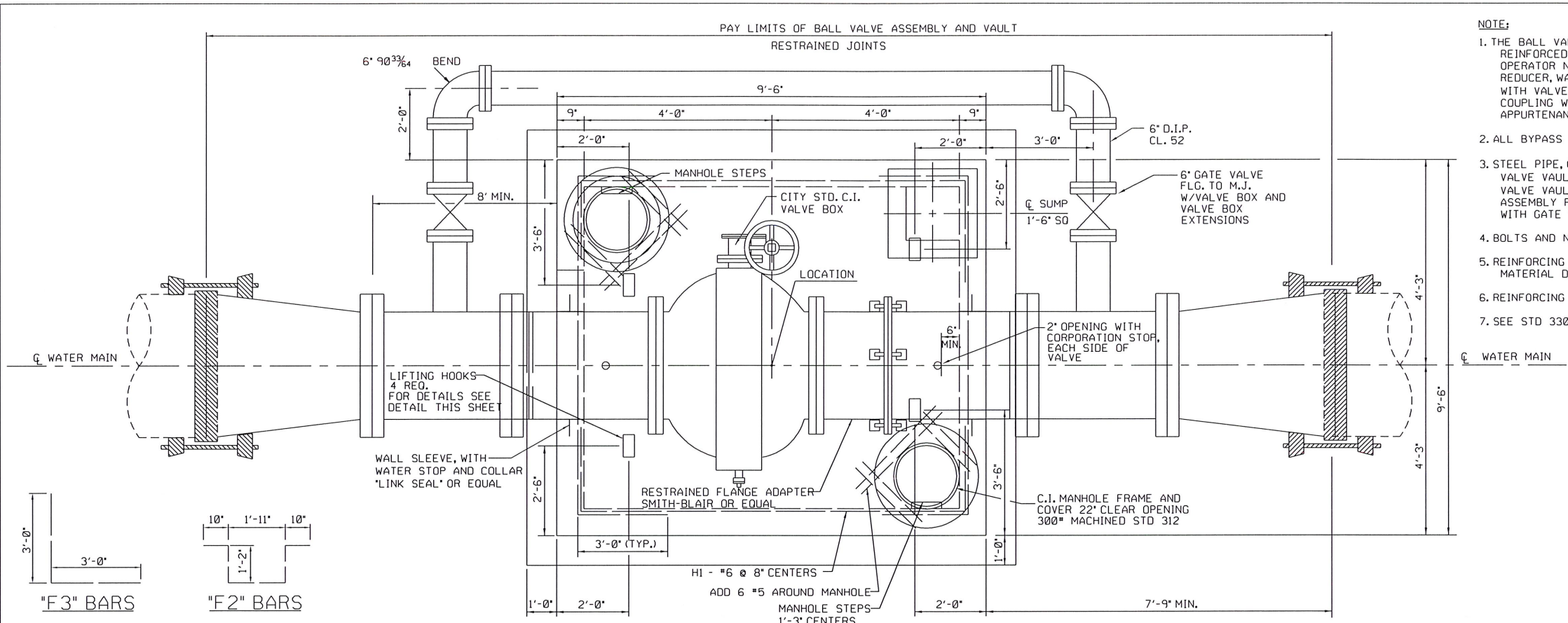
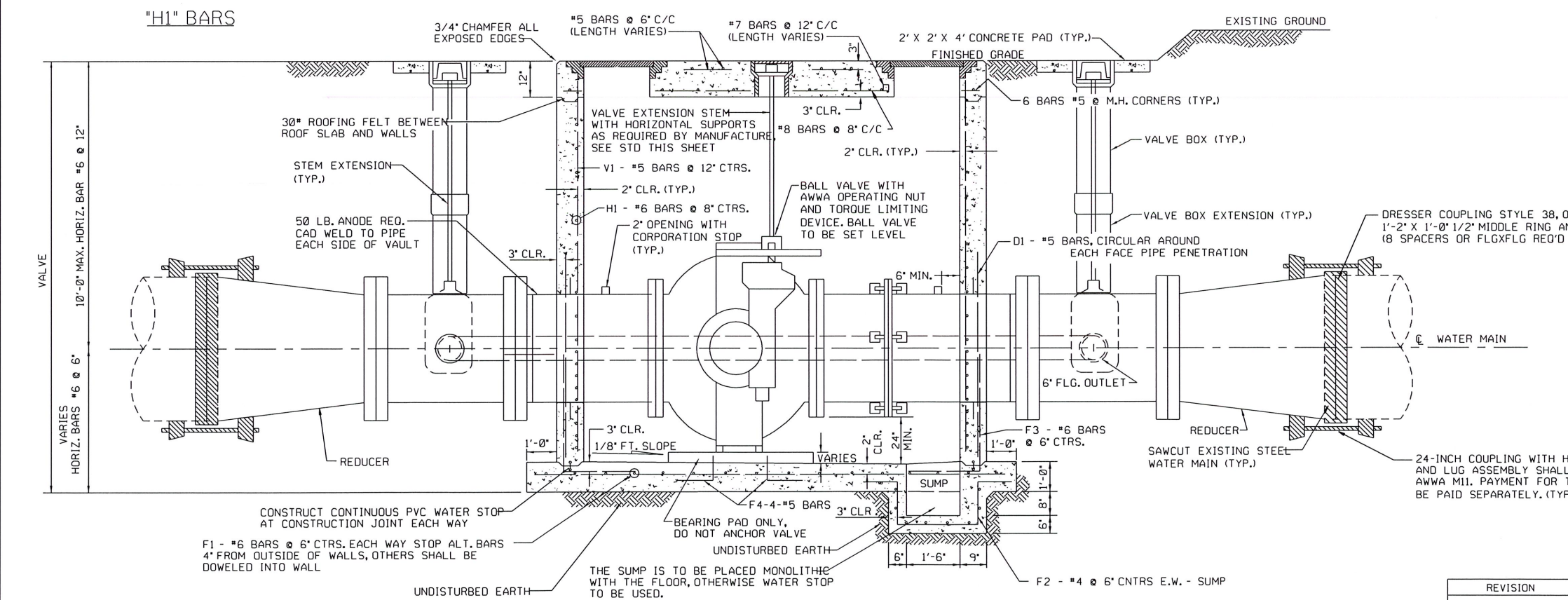


PATH NAME: \E:\PARTS\STD\DGN\STD\325-16INBV-24IN.DGN LFM 05/08/2012



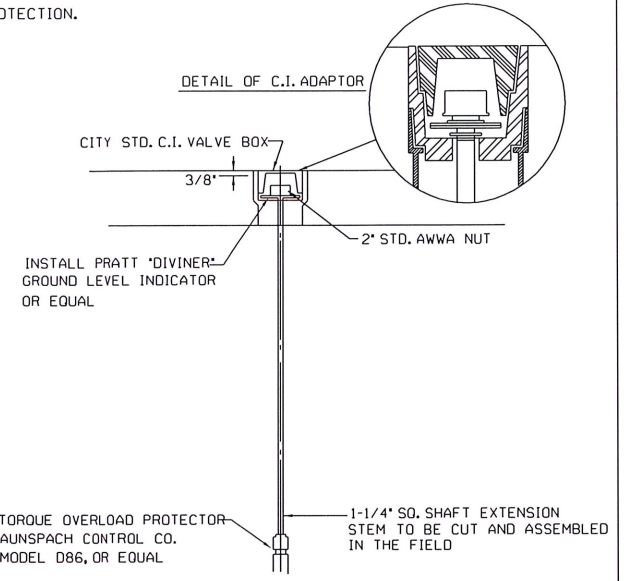
PLAN
NOT TO SCALE



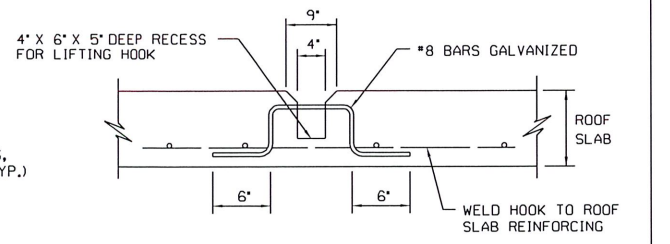
ELEVATION
NOT TO SCALE

NOTE:

1. THE BALL VALVE ASSEMBLY AND VAULT SHALL NOT INCLUDE, BUT NOT LIMITED TO, CLEARING, EXCAVATION, REINFORCED CONCRETE, LIFTING HOOKS, CASTINGS, 16-INCH OR 24-INCH BALL VALVE WITH WHEEL AND OPERATOR NUT VALVE EXTENSION STEM WITH HORIZONTAL SUPPORTS, INDICATOR, RESTRAINED ADAPTERS, REDUCER, WALL SLEEVE, LINK SEAL, ALL PIPING, FITTINGS, BYPASS PIPING, GATE VALVES, GATE VALVE WITH VALVE BOX AND VALVE BOX EXTENSION, CATHODIC PROTECTION, 2" CORPORATION COCK, TRANSITION COUPLING WITH AWMA M11 HARNESS AND LUG ASSEMBLY, IF USED, BACKFILL, RESTORATION, AND APPURTENANCES REQUIRED FOR A COMPLETE INSTALLATION.
2. ALL BYPASS PIPING TO BE RESTRAINED MECHANICAL JOINTS, EBBA MEGALUGS SERIES #1100, OR EQUAL.
3. STEEL PIPE, CONCRETE PIPE (AWWA 301), OR DUCTILE IRON PIPE (CLASS 52) SHALL BE USED THROUGH VALVE VAULTS. DRESSER COUPLINGS, STYLE 38, TO BE INSTALLED AT A MINIMUM DISTANCE OF 8' FROM VALVE VAULT. "DRESSERLOY" BOLTS SHALL BE USED ON ALL DRESSER COUPLINGS. HARNESS AND LUG ASSEMBLY REQUIRED WITH EITHER IRON OR STEEL. ROTATE LUG ASSEMBLY SO AS NOT TO INTERFERE WITH GATE VALVE.
4. BOLTS AND NUTS SHALL CONFORM TO ASTM A307 GRADE B AND ASTM A563, GRADE A, RESPECTIVELY.
5. REINFORCING STEEL SHOP DRAWINGS ARE TO BE SUBMITTED TO THE ENGINEER FOR APPROVAL PRIOR TO MATERIAL DELIVERED TO THE JOB SITE.
6. REINFORCING STEEL SHALL BE GR. 60.
7. SEE STD 330 FOR CATHODIC PROTECTION.



STEM EXTENSION FOR
BALL VALVE
NOT TO SCALE



LIFTING HOOK DETAIL
NOT TO SCALE

NOTE:
IN SIDEWALKS, COVER HOOK OPENING WITH A STEEL PLATE. SECURE WITH SCREWS AND EXPANSION SLEEVE ANCHORS

FOR REFERENCE ONLY

CONSTRUCT CONTINUOUS PVC WATER STOP AT CONSTRUCTION JOINT EACH WAY
F1 - #6 BARS @ 6" CTRS. EACH WAY STOP ALT. BARS 4' FROM OUTSIDE OF WALLS, OTHERS SHALL BE DOWELED INTO WALL

BEARING PAD ONLY, DO NOT ANCHOR VALVE
UNDISTURBED EARTH
THE SUMP IS TO BE PLACED MONOLITHIC WITH THE FLOOR, OTHERWISE WATER STOP TO BE USED.

24-INCH COUPLING WITH HARNESS AND LUG ASSEMBLY SHALL CONFORM TO AWMA M11. PAYMENT FOR THIS ITEM SHALL BE PAID SEPARATELY. (TYP.) (ONLY WITH COUPLING)

Keddy
CITY ENGINEER
HAS
DESIGN MANAGER

CITY OF TULSA, OKLAHOMA
ENGINEERING SERVICES DEPARTMENT
16" AND 24" BALL VALVE VAULT
STANDARD
UNDER H-20 LOADING
DATE: MARCH 2022
STD. 325

REVISION	BY	DATE