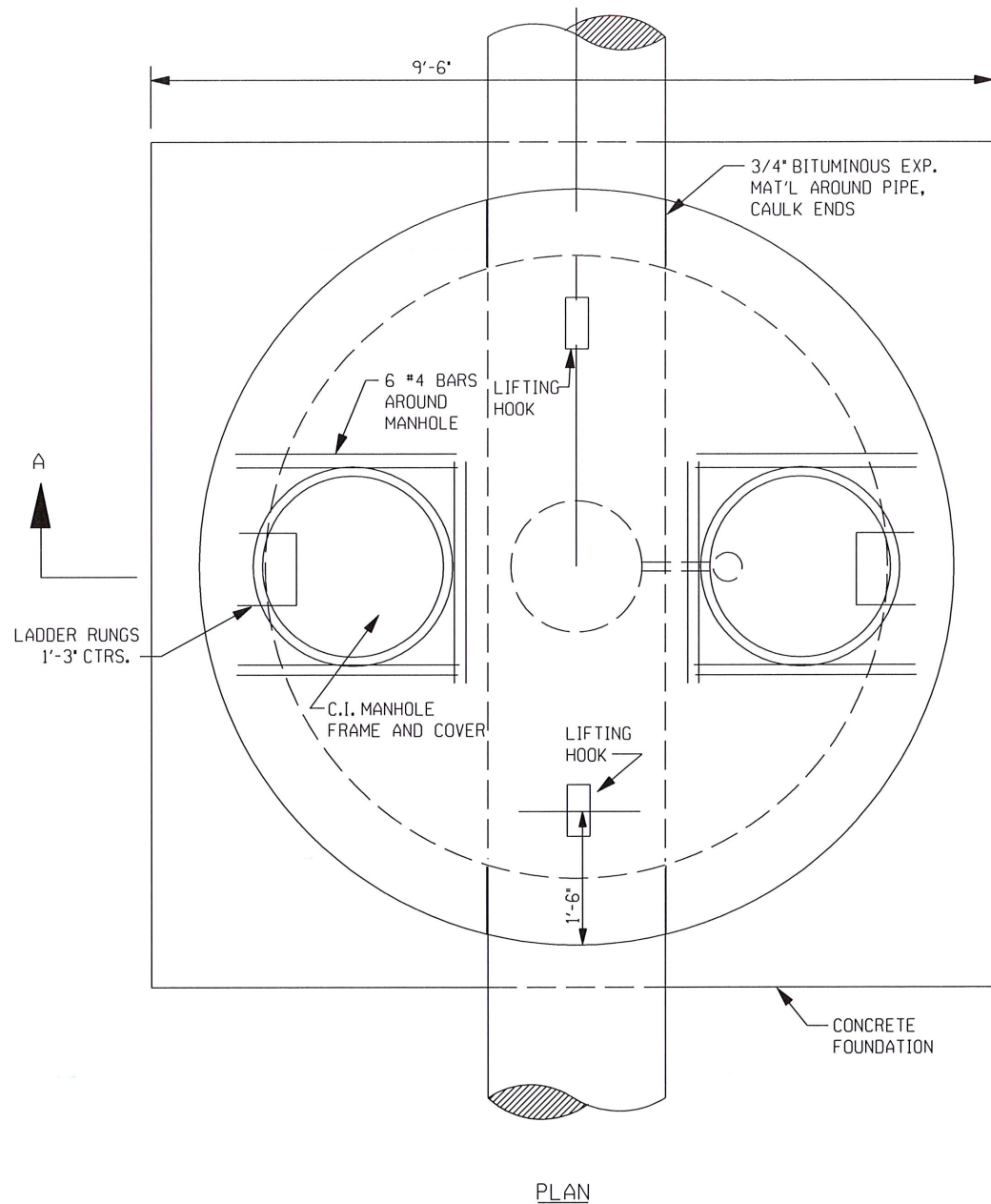
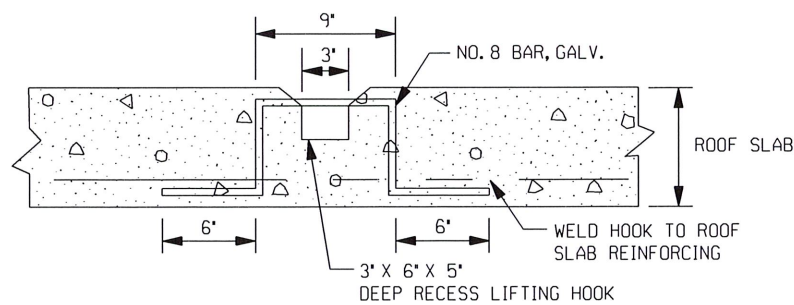


PATH NAME: E:\PARTS\STD\DDN\STD\328-4IN-AIR-VALVE-24IN-MAIN.DGN LFM 05/08/2012

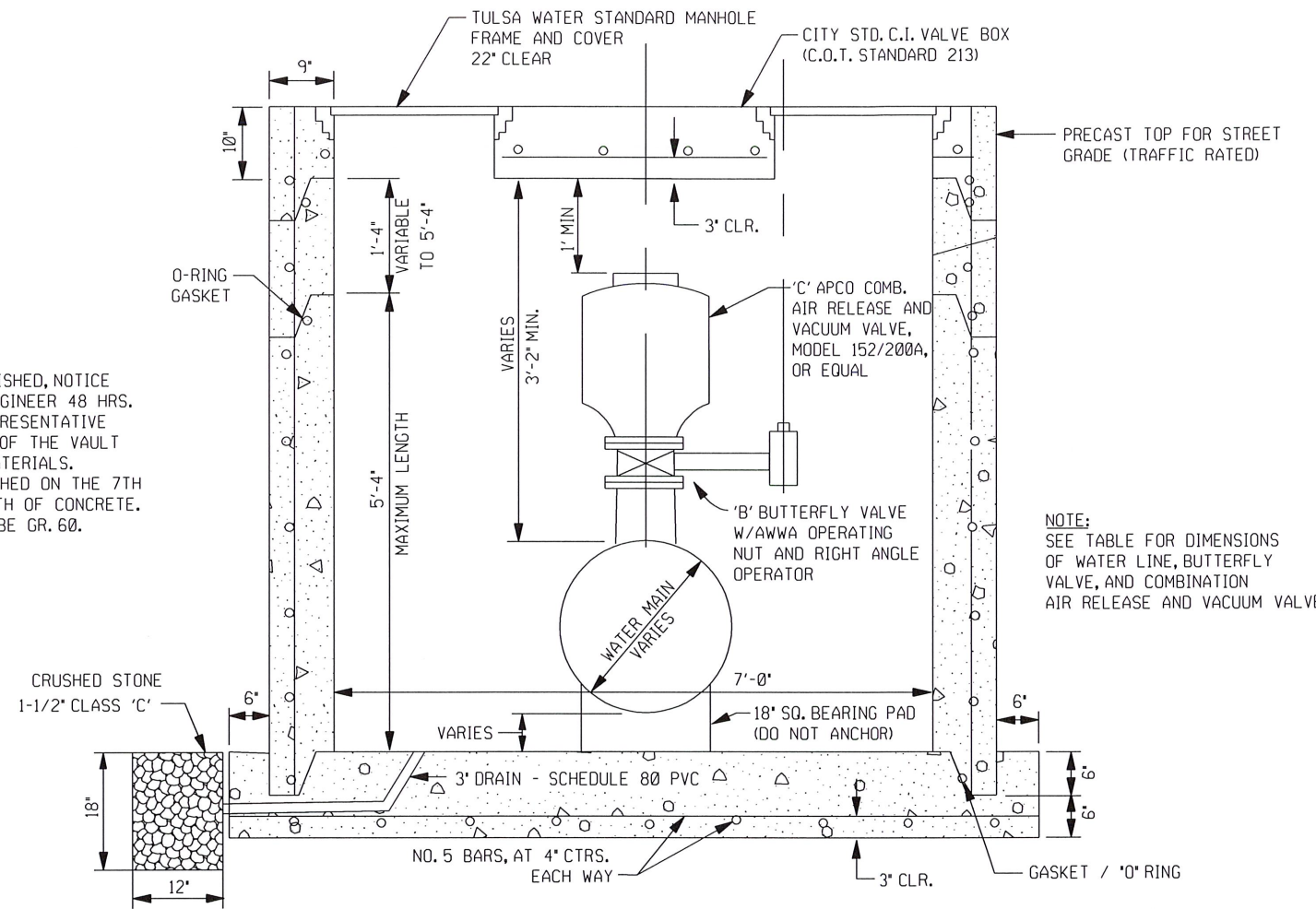


WATER MAIN 'A'	BUTTERFLY VALVE 'B'	AIR RELEASE AND VACUUM VALVE 'C'
16'	4'	4'
24'	4'	4'
30'	4'	4'
36'	4'	4'
36'	8'	8'
48'	8'	8'

IF PRECAST VAULT IS FURNISHED, NOTICE SHALL BE GIVEN TO THE ENGINEER 48 HRS. IN ADVANCE SO THAT A REPRESENTATIVE MAY WITNESS THE POURING OF THE VAULT FLOOR AND INSPECT THE MATERIALS. A REPORT SHALL BE FURNISHED ON THE 7TH DAY AND 28TH DAY STRENGTH OF CONCRETE. REINFORCING STEEL SHALL BE GR. 60.



LIFTING HOOK DETAIL



TRAFFIC RATED PRECAST AIR VALVE VAULT
SECTION A-A

NOTE:
PRECAST VALVE VAULT SECTIONS SHALL CONFORM TO ANSI/ASTM C478 CONCRETE 4,000 PSI (MIN.) ALL REINFORCING STEEL SHALL BE SHOP FABRICATED

 CITY ENGINEER	CITY OF TULSA, OKLAHOMA ENGINEERING SERVICES DEPARTMENT	
	STANDARD 4", 6", AND 8" AIR VALVE ASSEMBLY ON 16" THRU 48" MAIN	
 DESIGN MANAGER	DATE: MARCH 2022	STD. 328
	REVISION BY DATE	