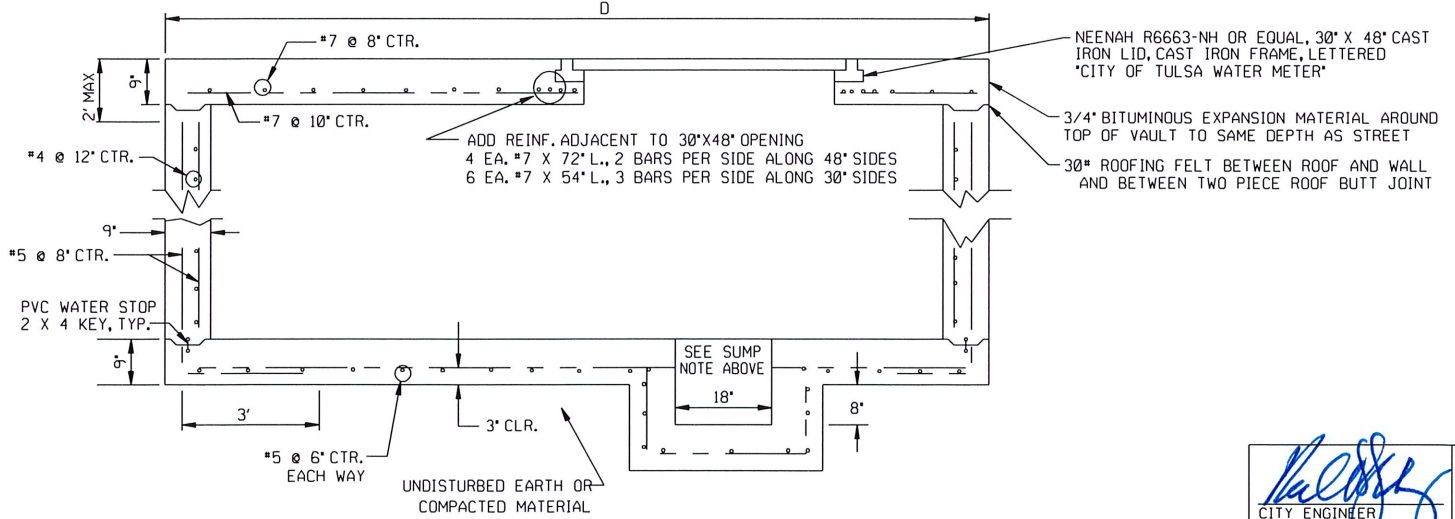
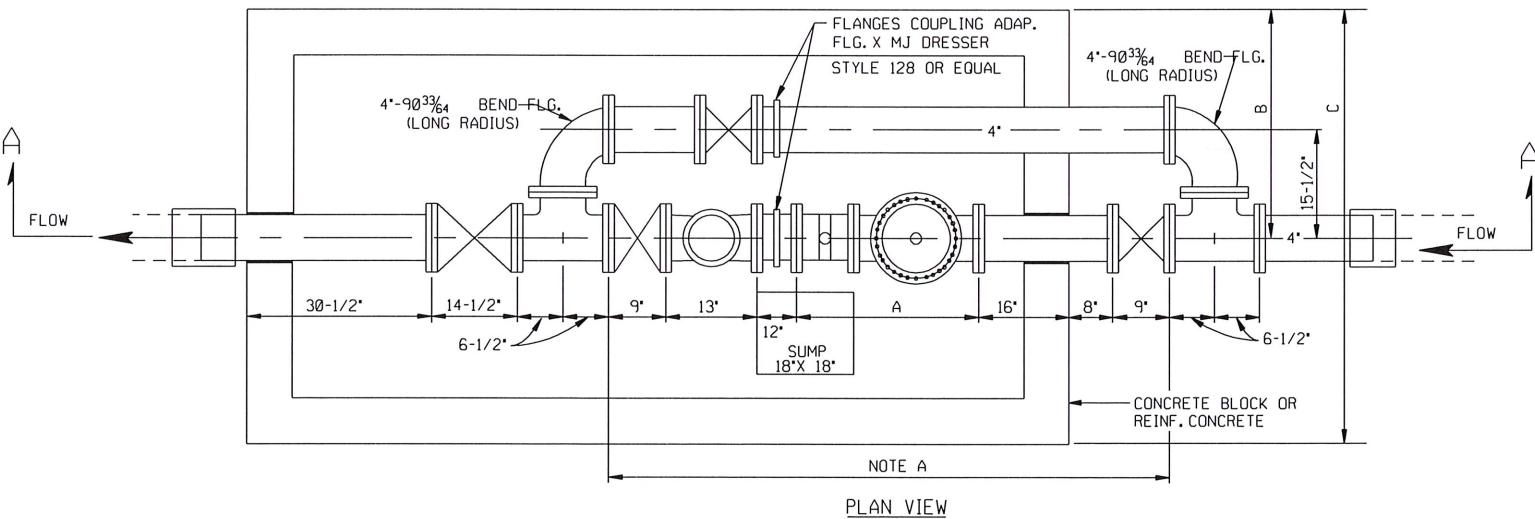
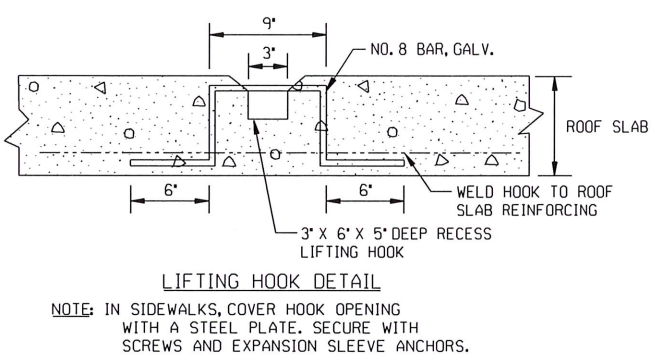




NOTE:

- IT SHALL BE THE RESPONSIBILITY OF THE CONTRACTOR TO FURNISH FITTINGS COMPATIBLE WITH THE TYPE OF PIPE FURNISHED.
- WHERE COMPOUND METER IS FURNISHED WITH A TEST PLUG, IT WILL NOT BE NECESSARY TO INSTALL A TEST TEE. MATERIAL SUBMITTALS SHALL INDICATE THE PRESENCE OF A TEST PLUG.
- BOLTS AND NUTS SHALL CONFORM TO ASTM A-307 GR. B, AND ASTM A-563 GR. A RESPECTIVELY. STRUCTURAL STEEL SHALL BE ASTM A-36
- BYPASS VALVE SHALL BE SEALED SHUT BY CITY OF TULSA USING A WATER METER SEAL WIRE.
- TEST TEE SHALL CONSIST OF
1 - 4" X 4" X 4" TEE, FLG.
1 - 4" X 4" NIPPLE, FLG. ON ONE END, THREADED ON OPPOSITE END WITH SCREW CAP
- NOTICE SHALL BE GIVEN TO THE ENGINEERING SERVICES DEPT. 48 HOURS IN ADVANCE SO THAT A REPRESENTATIVE OF THE DEPT. MAY WITNESS THE POURING OF THE VAULT AND INSPECT THE MATERIALS. A REPORT SHALL BE FURNISHED ON THE 7 DAY AND 28 DAY STRENGTH OF THE CONCRETE WHICH SHALL BE AT LEAST 4000 PSI. REINFORCING STEEL SHALL BE GR. 60.
- WHERE RESTRAINED JOINTS ARE REQUIRED, THEY SHALL BE EBBA MEGALUG SERIES 1100 OR EQUAL.
- METER AND FITTINGS FROM VALVE TO VALVE SHALL BE ASSEMBLED IN A SHOP ENVIRONMENT APPROVED BY A REPRESENTATIVE OF ENGINEERING SERVICES DEPARTMENT. METER AND FITTINGS SHALL BE DELIVERED TO THE JOB SITE WITH THE VALVES CLOSED IN ORDER TO PROTECT THE METER AND STRAINER.
- USE DUCTILE IRON PIPING AND DI/CI FITTINGS FROM THE MAIN LINE TAPPING SLEEVE TO DOWNSTREAM FROM THE METER CHECK VALVE AT THE CONNECTING SLEEVE. PIPE SHALL BE WRAPPED WITH POLYETHYLENE FILM AND TAPED.
- CHAMFER EXPOSED CORNERS. EDGE AROUND OPENINGS IN TOP.
- BEARING PADS HAVE NO REBAR
- VAULT ASSEMBLY SHALL INCLUDE ALL MATERIALS AND LABOR FOR AN INSTALLED AUTOMATED METER READING (AMR) DEVICE PER CONSTRUCTION SPECIFICATIONS DIVISION V. AMR DEVICE SHALL INCLUDE MIU ANTENNA PENETRATING THRU HATCH, MIU, POTTED REGISTER, REQUIRED CABLE, AND GEL-CAP (IF REQUIRED). AMR INSTALLATION SHALL BE APPROVED AND TESTED BY ENGINEER OR ENGINEER'S DESIGNEE.



METER	A	B	C	D	REMARKS
4' TURBO METER	21'-1/2'	3'- 3'	5'- 6'	10'- 10'	
4' TURBO METER FIRE SERVICE	35'-1/16'	3'- 3'	5'- 6'	12'- 0'	
4' COMPOUND METER	33'	3'- 0'	5'- 3'	10'- 8'	WITHOUT TEE
4' NEPTUNE PROTECTUS III FIRE FLOW METER W/STRAINER(FS)	33'	3'- 3'	6'- 0'	11'- 9'	
4' INVENSYS FIRELINE T.M.	51'-7/8'	3'- 3'	6'- 0'	13'- 4'	

REVISION	BY	DATE


 CITY ENGINEER

 DESIGN MANAGER

CITY OF TULSA, OKLAHOMA
 ENGINEERING SERVICES DEPARTMENT
 4" METER ASSEMBLY AND VAULT
 DATE: MARCH 2022 STD. 527

PATH NAME: /E1/PARTS/STD/DGN.STDS/527-4IN-METER.DGN LFM 05/02/2012