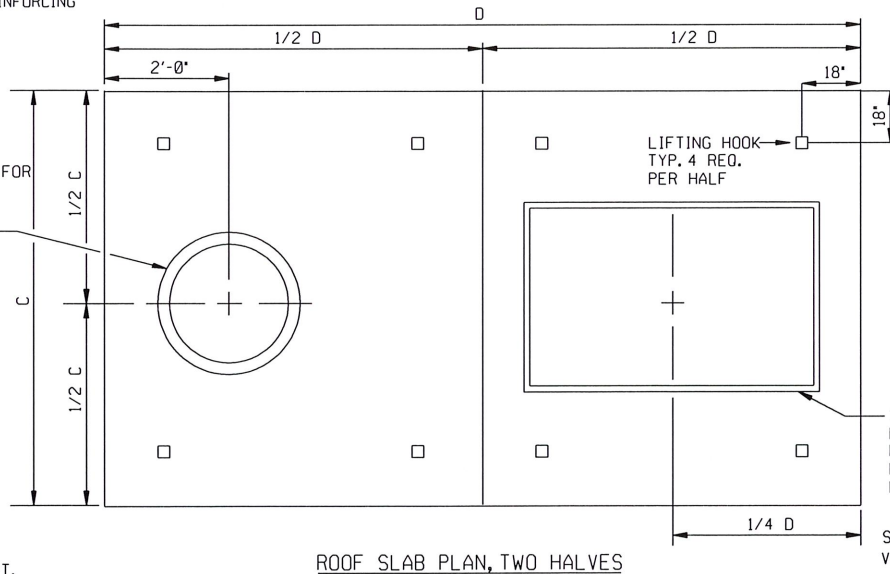


LIFTING HOOK DETAIL

NOTE: IN SIDEWALKS, COVER HOOK OPENING WITH A STEEL PLATE. SECURE WITH SCREWS AND EXPANSION SLEEVE LIFTING HOOK. STD. C.I. FRAME AND LID FOR VALVE VAULT 22-1/2' OPENING, (REQ. ONLY ON TWO PIECE ROOF)

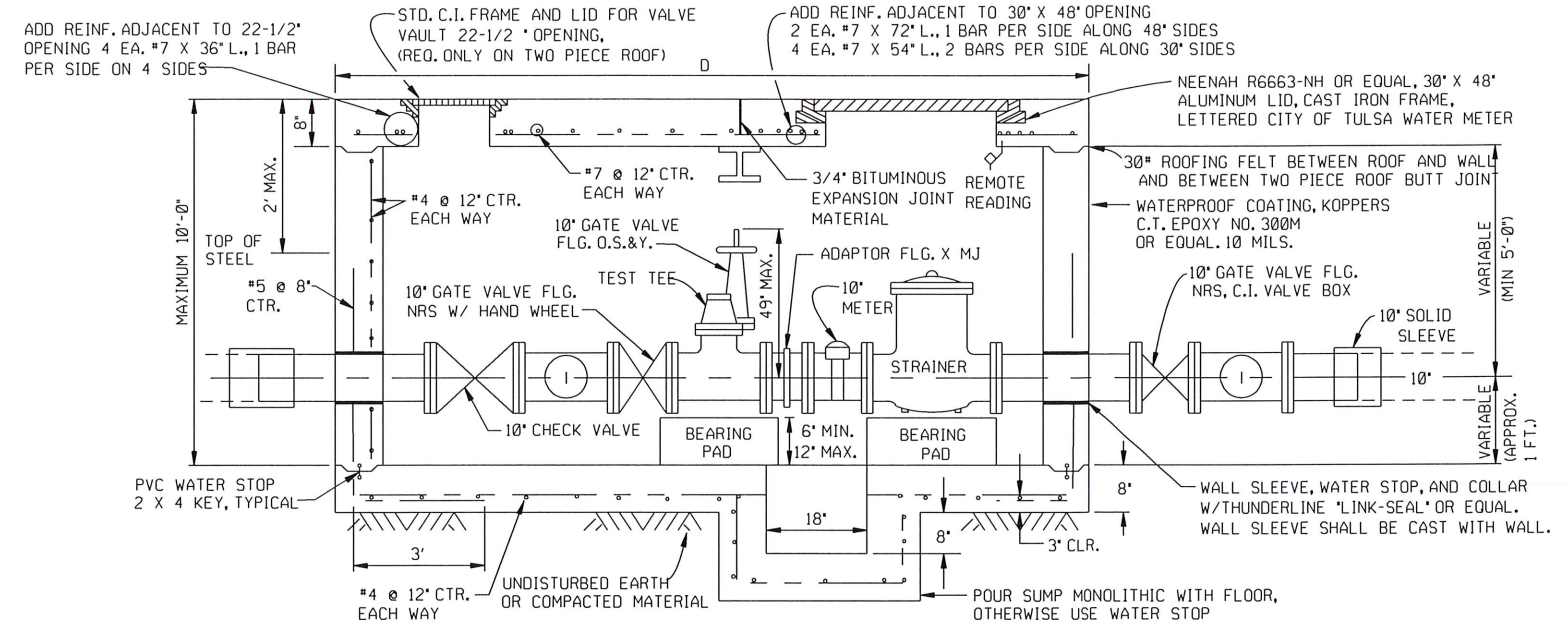


ROOF SLAB PLAN, TWO HALVES

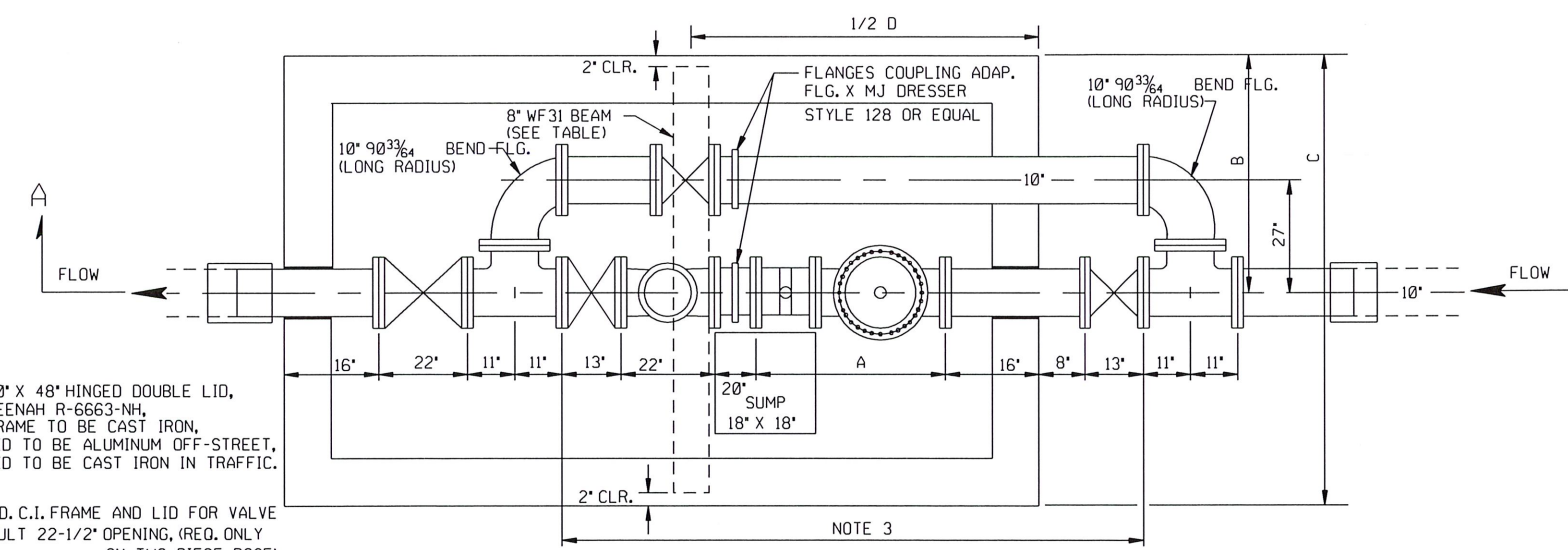
NOTE:

- NOTICE SHALL BE GIVEN TO THE ENGINEERING SERVICES DEPT. 48 HOURS IN ADVANCE SO THAT A REPRESENTATIVE OF THE DEPT. MAY WITNESS THE POURING OF THE VAULT AND INSPECT THE MATERIALS. A REPORT SHALL BE FURNISHED ON THE 7 DAY AND 28 DAY STRENGTH OF THE CONCRETE WHICH SHALL BE AT LEAST 4000 PSI. REINFORCING STEEL SHALL BE GR. 60.
- WHERE RESTRAINED JOINTS ARE REQUIRED, THEY SHALL BE EBBA MEGALUG SERIES 1100 OR EQUAL.
- METER AND FITTINGS FROM VALVE TO VALVE SHALL BE ASSEMBLED IN A SHOP ENVIRONMENT APPROVED BY A REPRESENTATIVE OF ENGINEERING SERVICES DEPARTMENT. METER AND FITTINGS SHALL BE DELIVERED TO THE JOB SITE WITH THE VALVES CLOSED IN ORDER TO PROTECT THE METER AND STRAINER.
- USE DUCTILE IRON PIPING AND DI/CI FITTINGS FROM THE MAIN LINE TAPPING SLEEVE TO DOWNSTREAM FROM THE METER CHECK VALVE AT THE CONNECTING SLEEVE. PIPE SHALL BE WRAPPED WITH POLYETHYLENE FILM AND TAPED.
- IT SHALL BE THE RESPONSIBILITY OF THE CONTRACTOR TO FURNISH FITTINGS COMPATIBLE WITH THE TYPE OF PIPE FURNISHED.
- BOLTS AND NUTS SHALL CONFORM TO ASTM A-307 GR. B, AND ASTM A-563 GR. A RESPECTIVELY. STRUCTURAL STEEL SHALL BE ASTM A-36
- BYPASS VALVE SHALL BE SEALED SHUT BY CITY OF TULSA USING A WATER METER SEAL WIRE.
- TEST TEE SHALL CONSIST OF
1 - 10" X 10" X 6" TEE FLG.
1 - 6" X 4" SWEDGE NIPPLE FLG. ON 6" END, 4" END THREADED WITH SCREW CAP
- CHAMFER EXPOSED CORNERS. EDGE AROUND OPENINGS IN TOP.
- BEARING PADS HAVE NO REBAR.
- VAULT ASSEMBLY SHALL INCLUDE ALL MATERIALS AND LABOR FOR AN INSTALLED AUTOMATED METER READING (AMR) DEVICE PER CONSTRUCTION SPECIFICATIONS DIVISION V. AMR DEVICE SHALL INCLUDE MIU ANTENNA PENETRATING THRU HATCH, MIU, POTTED REGISTER, REQUIRED CABLE, AND GEL-CAP (IF REQUIRED). AMR INSTALLATION SHALL BE APPROVED AND TESTED BY ENGINEER OR ENGINEER'S DESIGNEE.

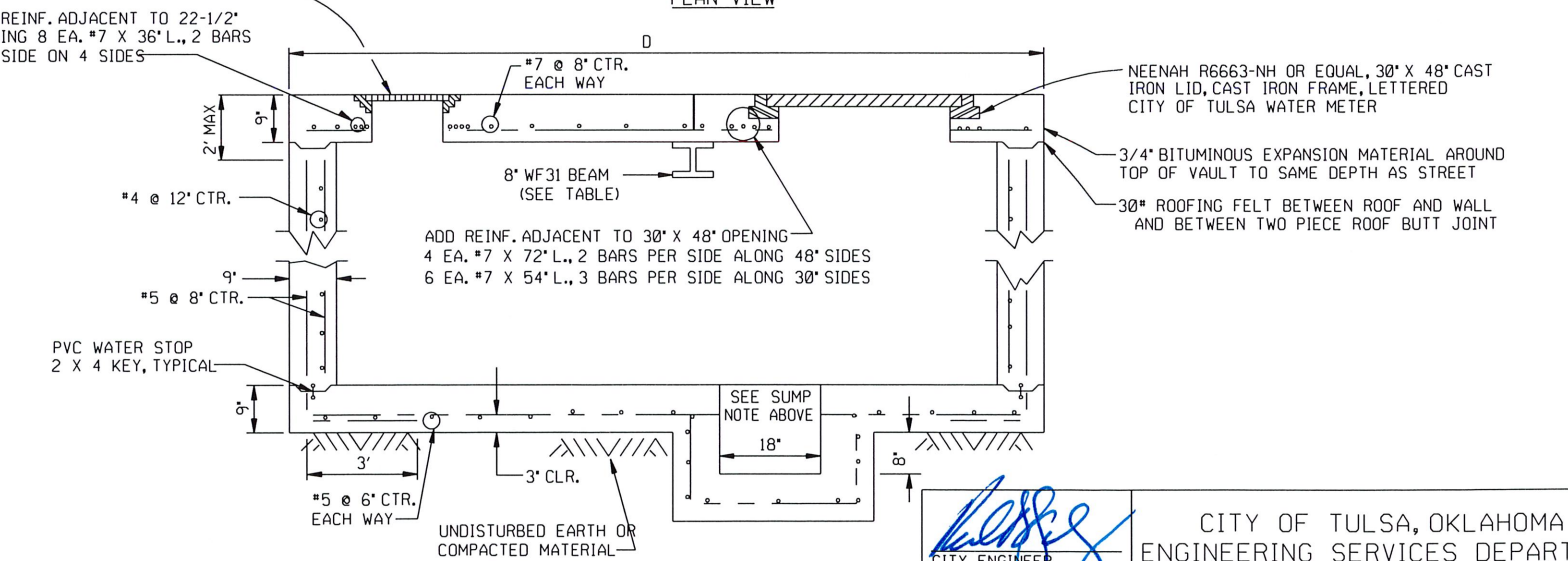
METER	A	B	C	D	REMARKS
10" TURBINE METER FIRE SERVICE, SENSUS	61'-3/4"	5'-0"	8'-0"	16'-1"	VAULT COVER 2/HALVES
HERSEY	59'-3/4"	5'-0"	8'-0"	15'-11"	
10" INVENSYS FIRELINE T.M.	90"	4'-7"	9'-0"	19'-5"	W/4 HOOKS EA. 8" WF 31 BEAM
10" NEPTUNE PROTECTUS III FIRE FLOW METER W/STRAINER (FS)	68"	4'-7"	9'-0"	16'-7"	



SECTION A-A OFF-STREET VALVE VAULT TOP REINF. CONC. (NOT FOR TRAFFIC LOADS)



PLAN VIEW



ALTERNATE VALVE VAULT FOR TRAFFIC LOADS REINF. CONCRETE

REVISION	BY	DATE

[Signature]
CITY ENGINEER

[Signature]
DESIGN MANAGER

CITY OF TULSA, OKLAHOMA
ENGINEERING SERVICES DEPARTMENT

10" METER STANDARD
AND VAULT ASSEMBLY
DATE: MARCH 2022
STD. 533