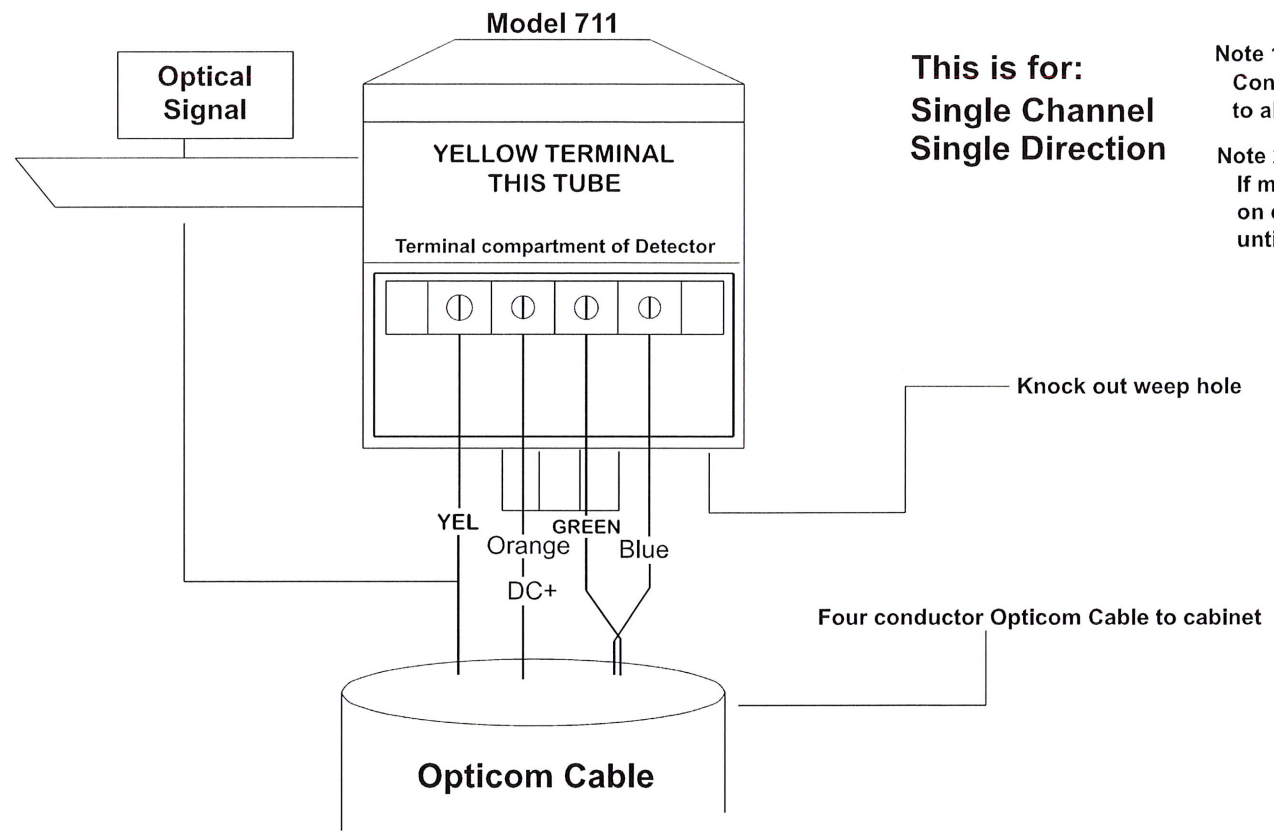


PATH NAME: /e1/ports/STD/DCN/stds/606-emrgcy-preempt-det.dgn SBN 05/14/2012

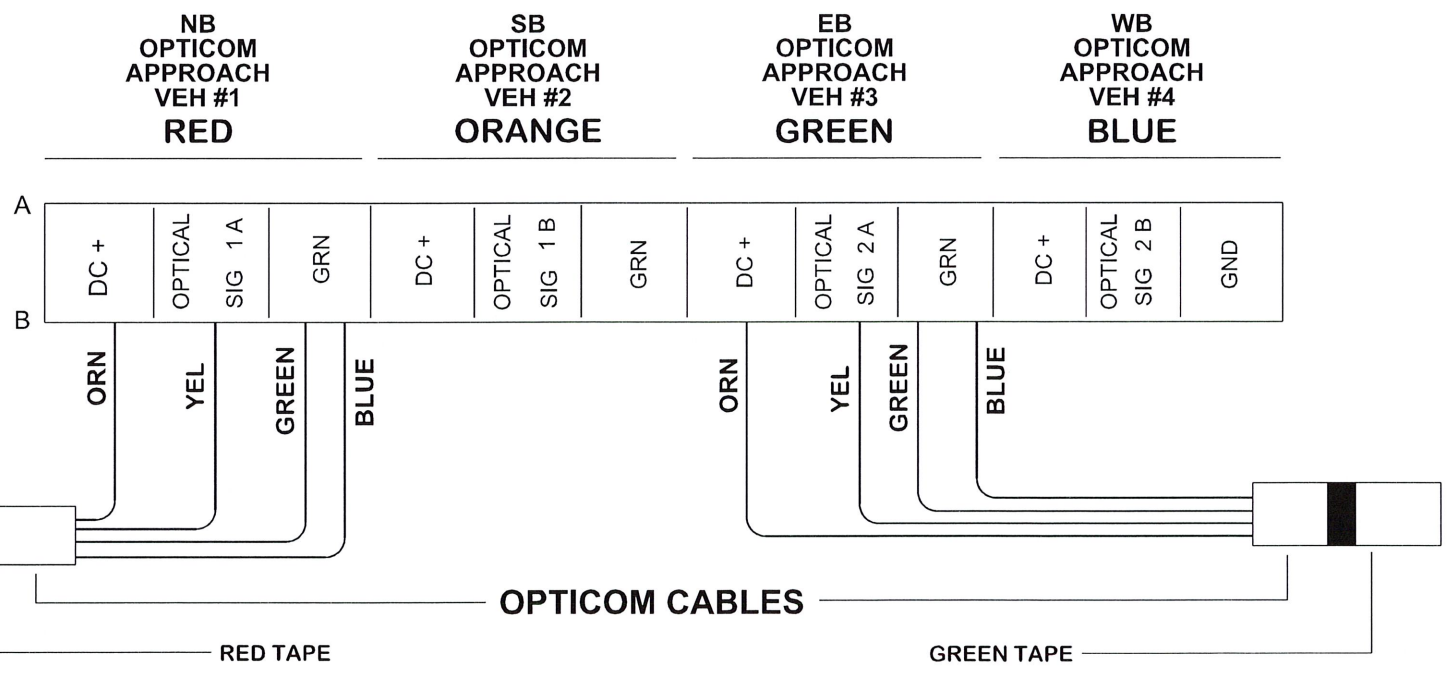


This is for:
**Single Channel
 Single Direction**

Note 1 -
 Connect cable power ground to earth ground to allow dissipation of static charges on cable.

Note 2 -
 If mounted and not hooked up, strip insulation on each cable and connect to earth ground until installation can be complete.

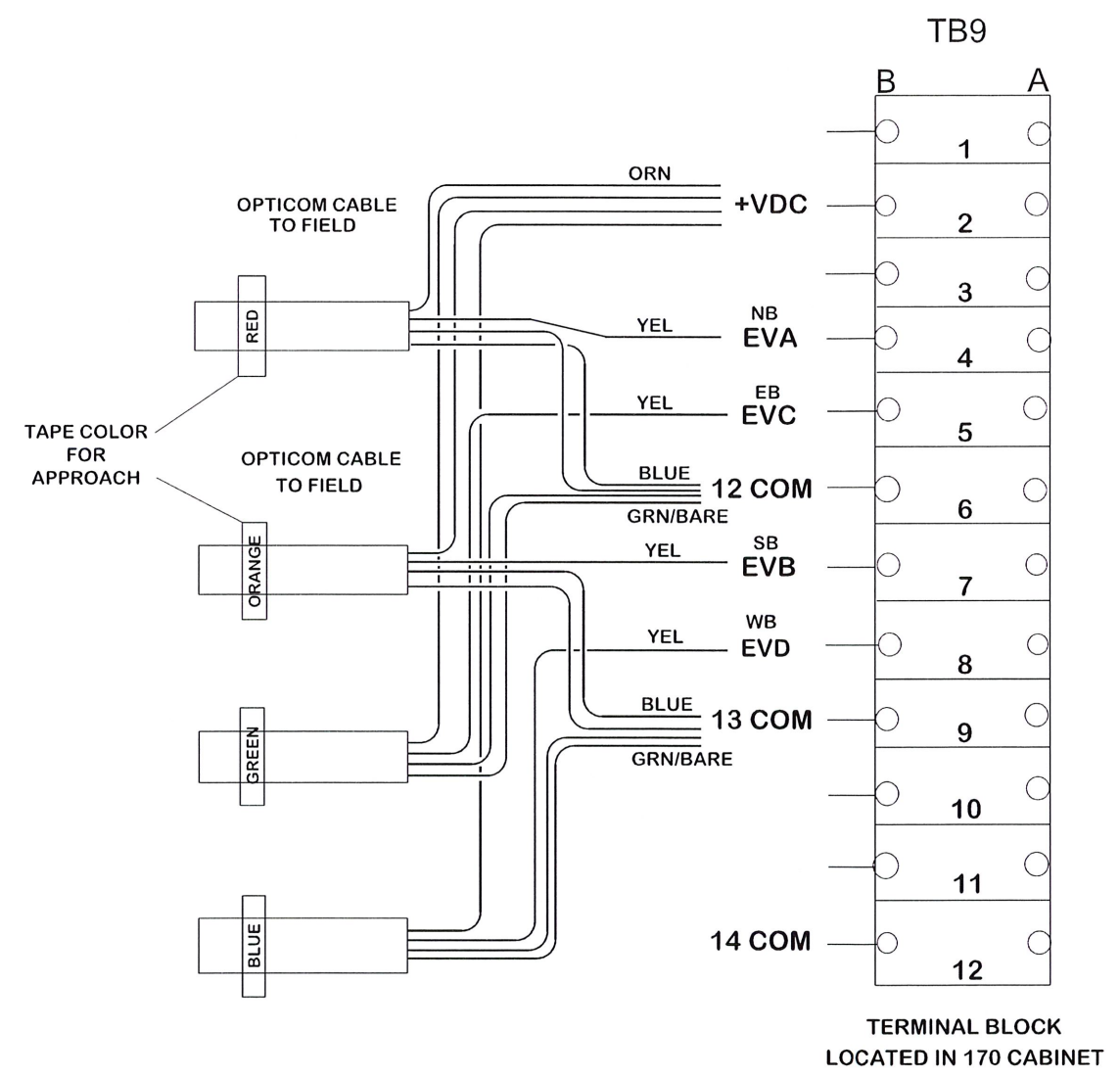
Opticom Detector Termination Panel



**Single Channel Cabinet connections
 Single Direction**

Connect Yellow wire to appropriate Optical Signal Terminal

**OPTICOM CABLES
 SINGLE CHANNEL 170 CABINET CONNECTIONS
 SINGLE DIRECTION**



NOTE:

THE CONTROLLER INPUTS SHALL BE FIELD MODIFIED AT THE BACK OF THE INPUT FILE TO WHERE:
 EVA = NB APPROACH EVB=SB APPROACH
 EVC = EB APPROACH EVD=WB APPROACH

 CITY ENGINEER			CITY OF TULSA, OKLAHOMA ENGINEERING SERVICES DEPARTMENT		
 CITY TRAFFIC ENGINEER			EMERGENCY PRE-EMPTION DETAIL		
REVISION BY DATE			DATE: MARCH 2022		
STD. 606			STD. 606		