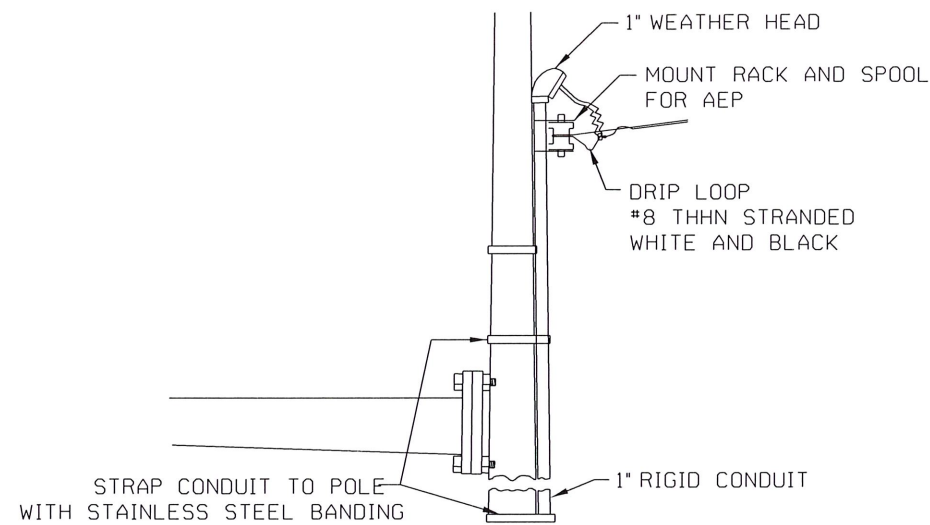
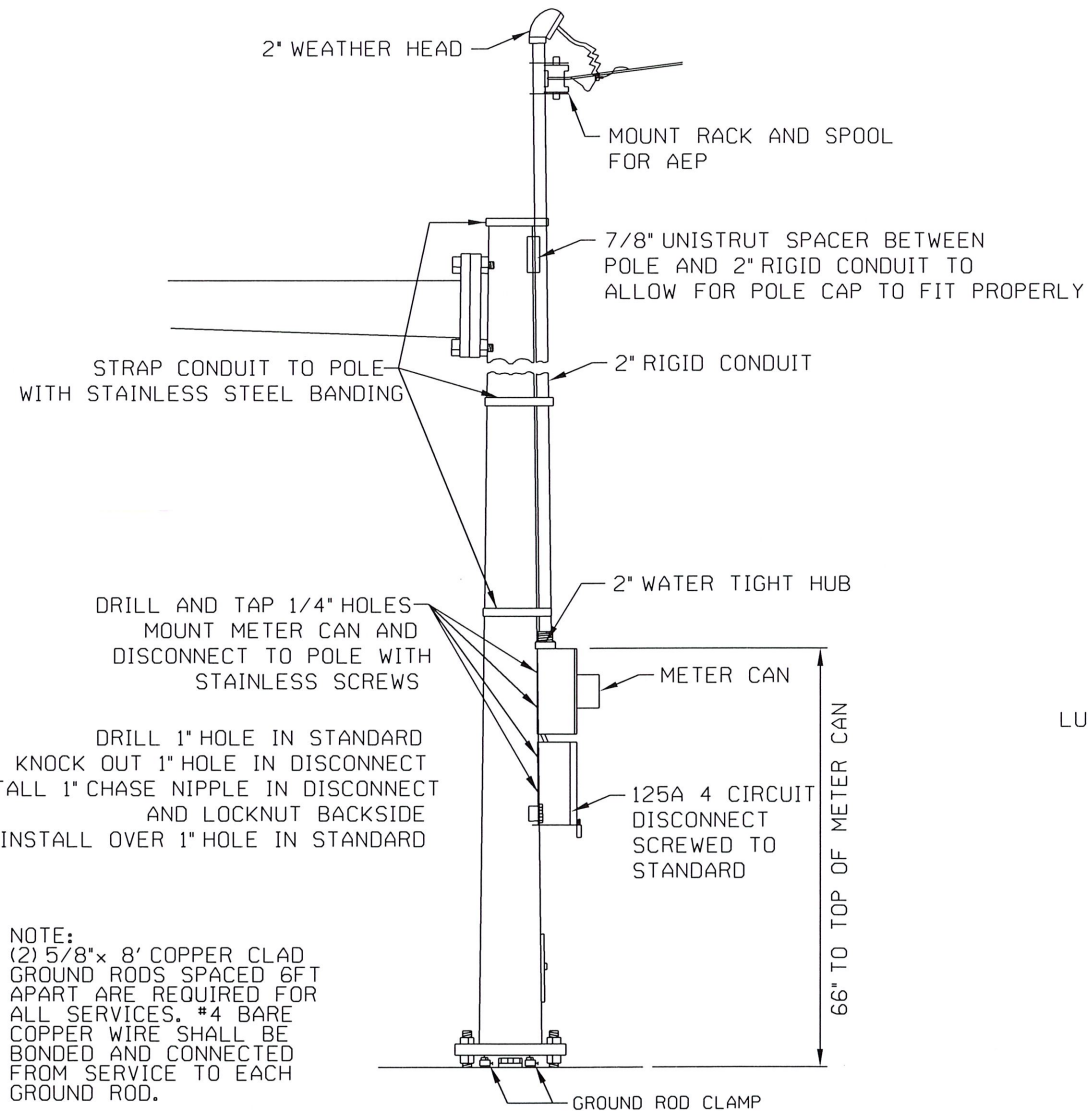


PATH NAME: /E:/PARTS/STD/DGN/STD/607A-traffic-signal-svc-pole.dgn RSB 08/06/2021

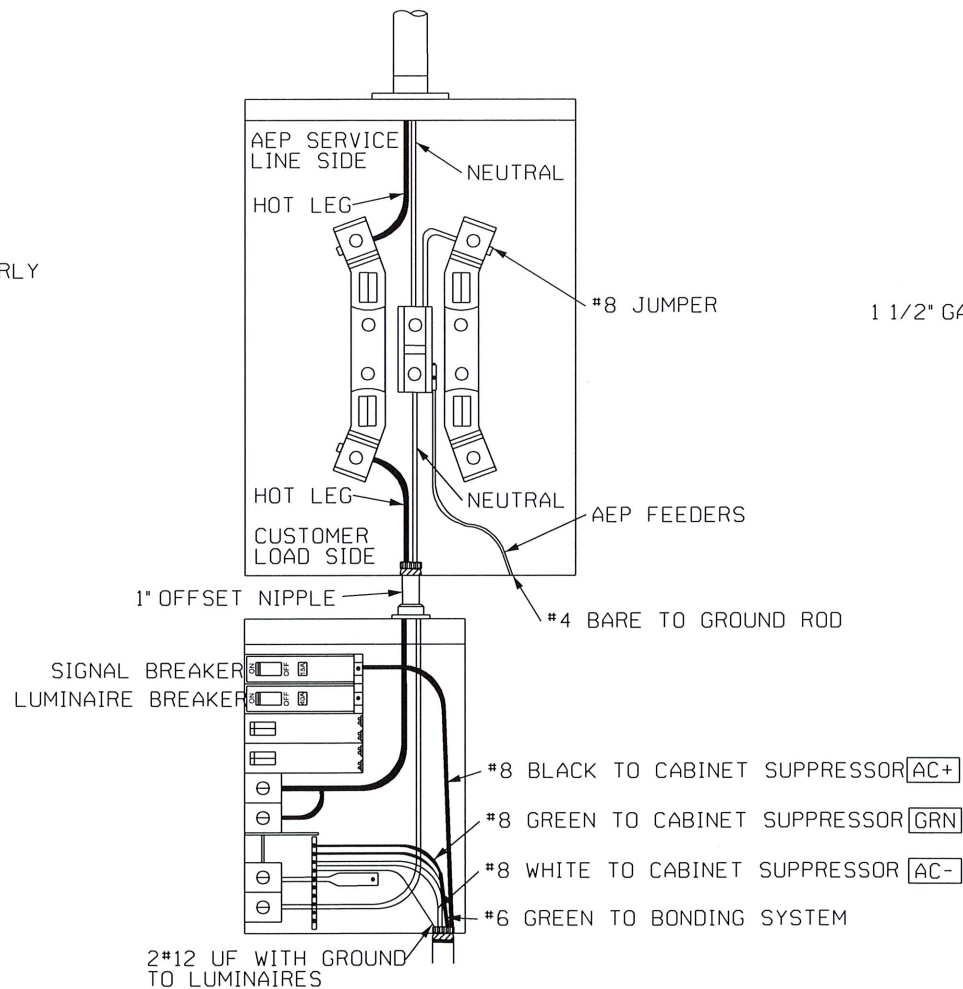


SERVICE TO SIGNAL STANDARD WITH LUMINAIRE

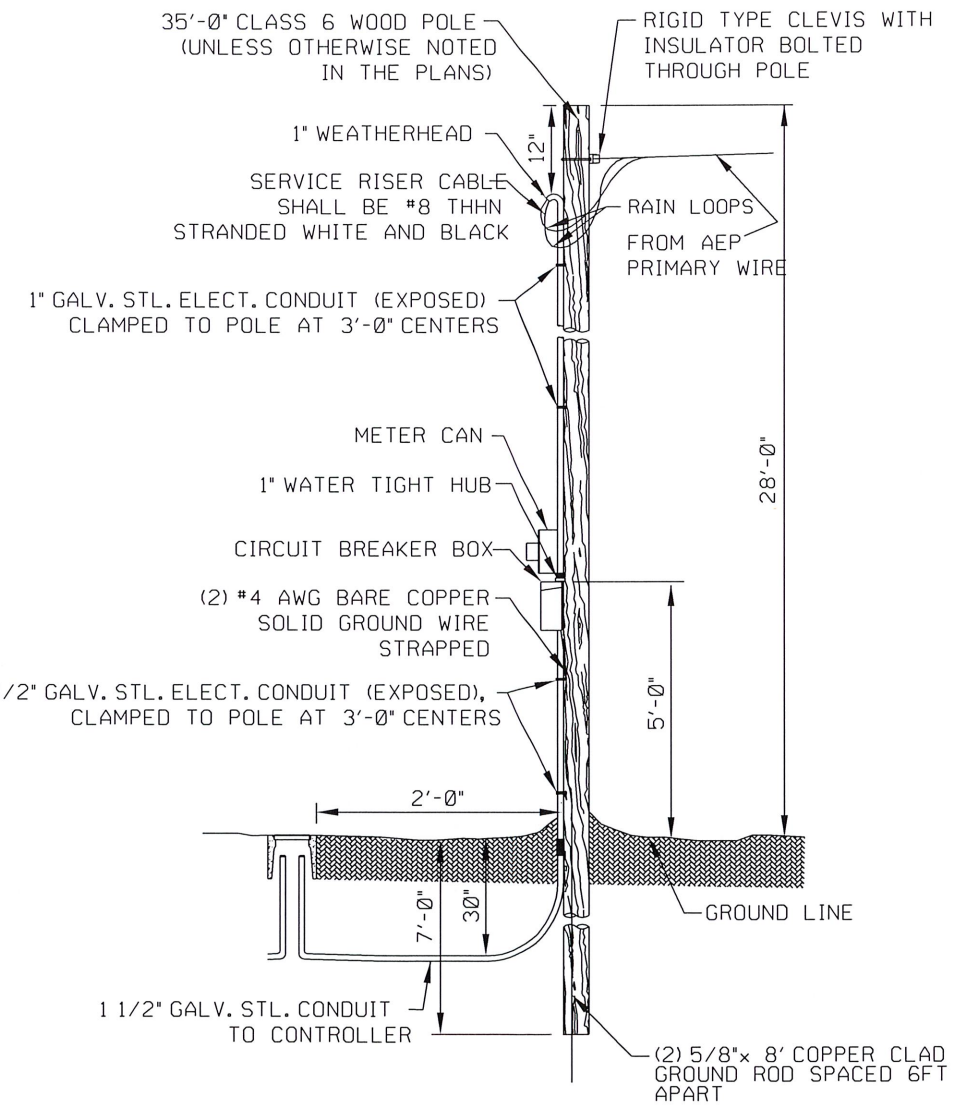


SERVICE TO SIGNAL STANDARD

NOTE:
 (2) 5/8" x 8' COPPER CLAD
 GROUND RODS SPACED 6FT
 APART ARE REQUIRED FOR
 ALL SERVICES. #4 BARE
 COPPER WIRE SHALL BE
 BONDED AND CONNECTED
 FROM SERVICE TO EACH
 GROUND ROD.



METER AND DISCONNECT WIRING



OVERHEAD SERVICE TO SERVICE POLE

[Signature]
 CITY ENGINEER

CITY OF TULSA, OKLAHOMA
 ENGINEERING SERVICES DEPARTMENT

[Signature]
 CITY TRAFFIC ENGINEER

TRAFFIC SIGNAL SERVICE POLE
 AND SERVICE TO SIGNAL STANDARD

REVISION	BY	DATE

DATE: MARCH 2022
 STD. 607A