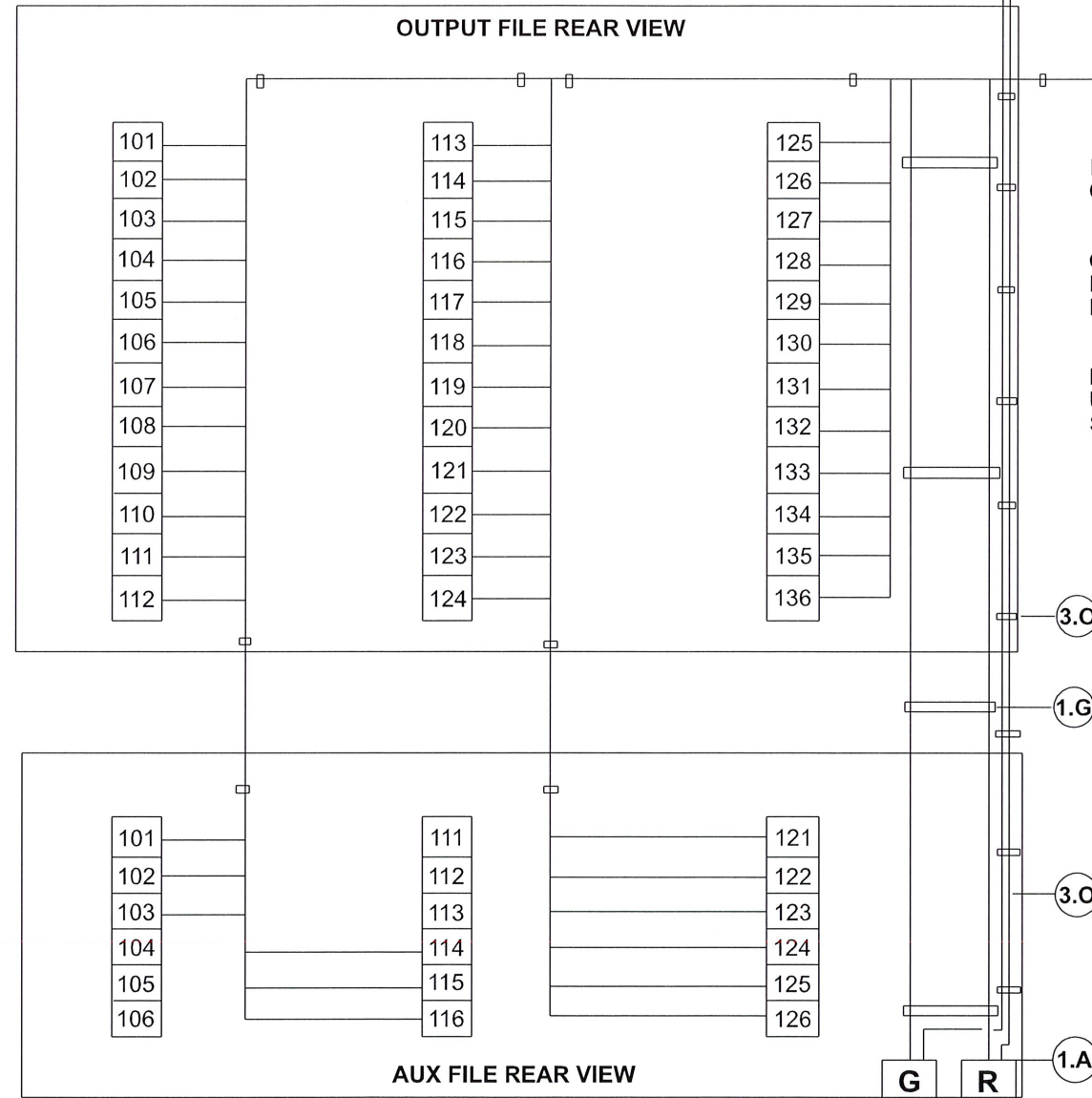
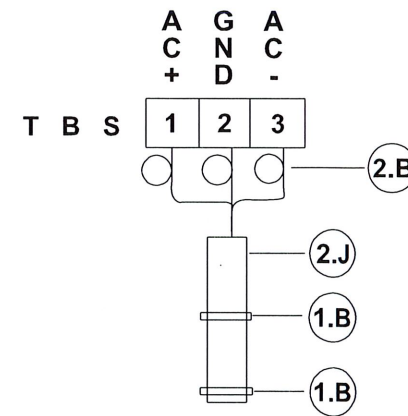
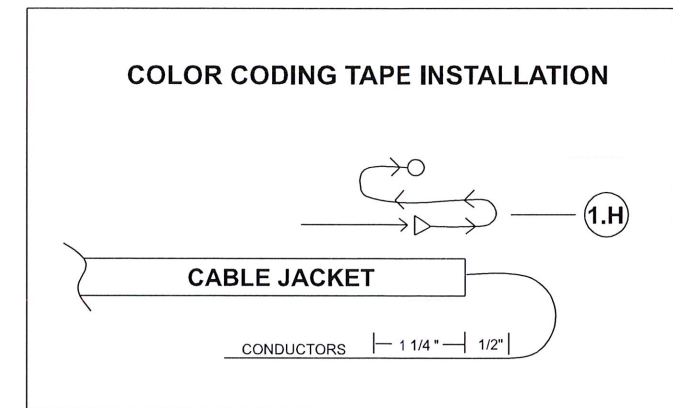


170 CABINET WIRING
332 CABINET



COLOR CODING REQUIREMENTS

SERVICE PANEL RIGHT SIDE (REAR VIEW)



NOTE:
REFERENCE NUMBERS (1.A - 3.0) ARE DEFINED IN SECTION 610.3.1 OF THE CITY OF TULSA SPECIFICATIONS.

REVISION	BY	DATE
	DD	6-09
	BY	6-12

[Signature]
CITY ENGINEER

[Signature]
CITY TRAFFIC ENGINEER

CITY OF TULSA, OKLAHOMA
ENGINEERING SERVICES DEPARTMENT

332 CABINET WIRING

DATE: MARCH 2022

STD. 610C