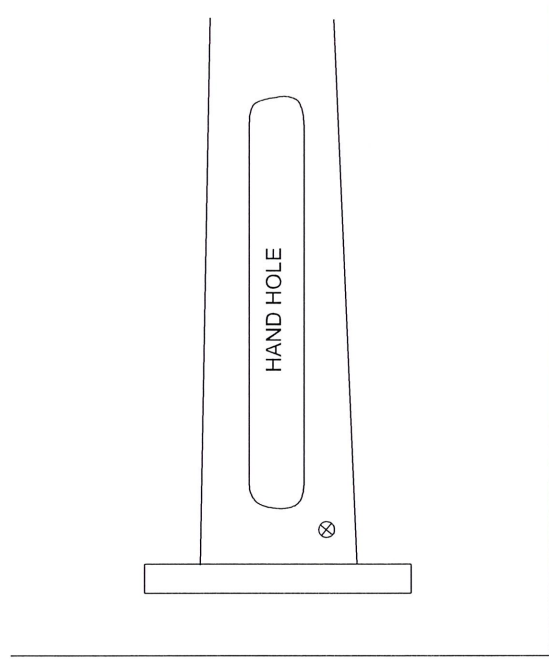
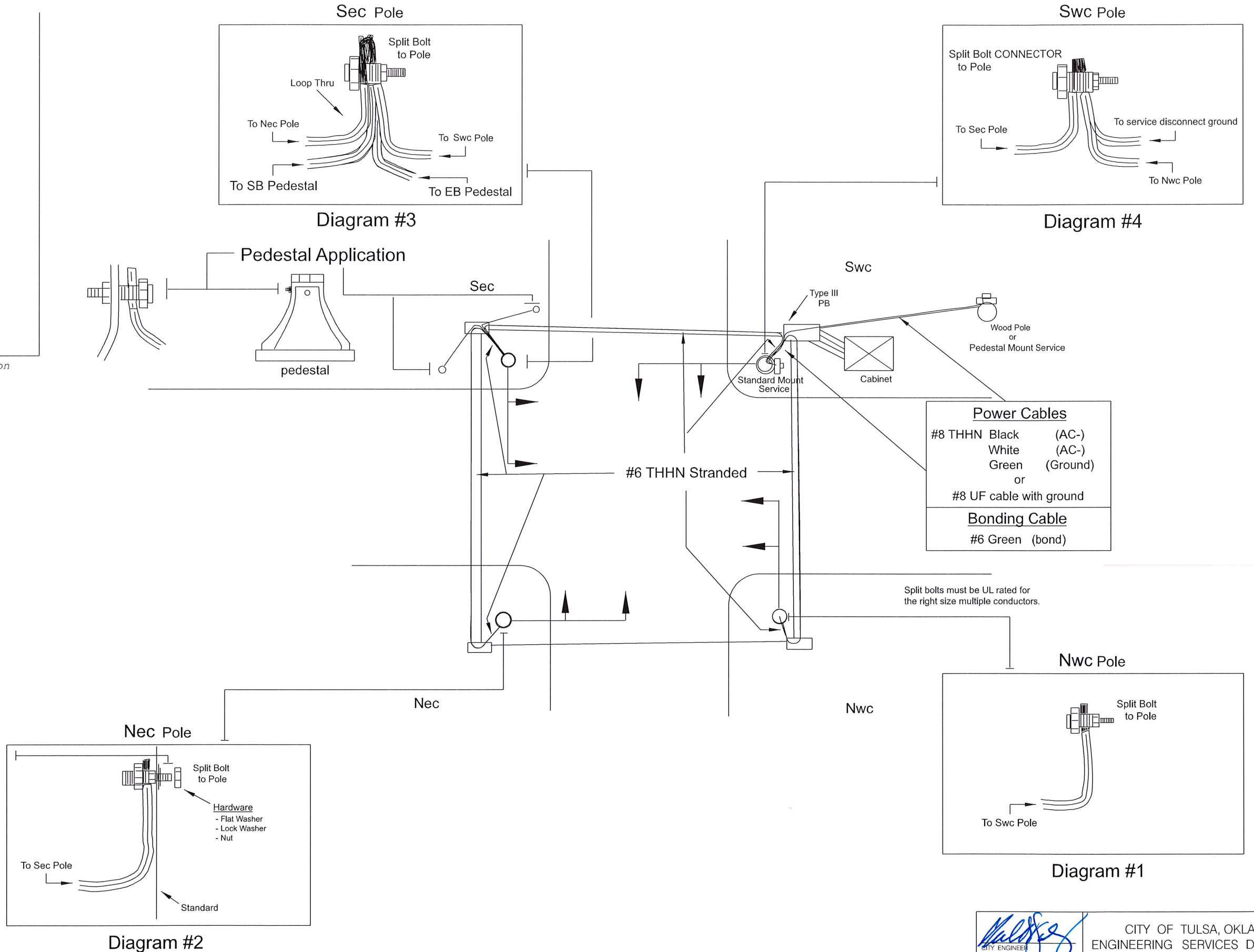


PATH NAME: /E1/PARTS/STD/DGN\_STD/618-bonding-diagram.dgn SBW 09/17/2012



Alternate bond connection location



Power Cables	
#8 THHN Black	(AC-)
White	(AC-)
Green	(Ground)
or	
#8 UF cable with ground	
Bonding Cable	
#6 Green	(bond)

Split bolts must be UL rated for the right size multiple conductors.

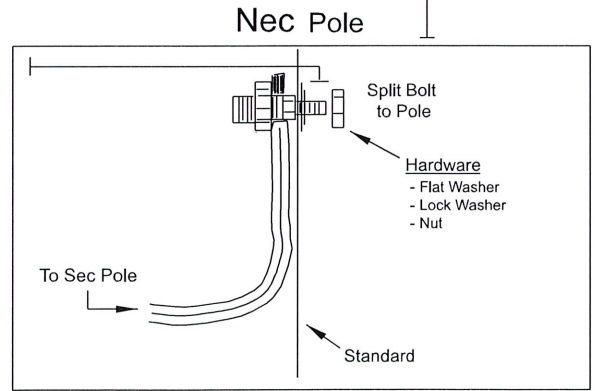


Diagram #2

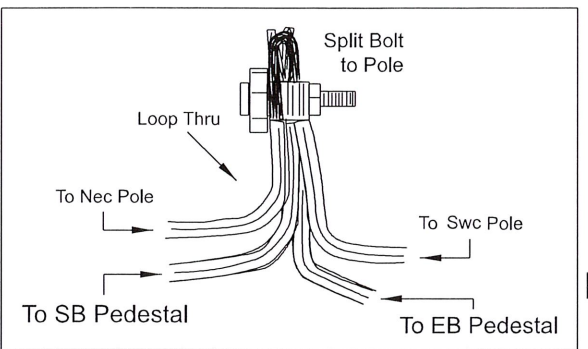


Diagram #3

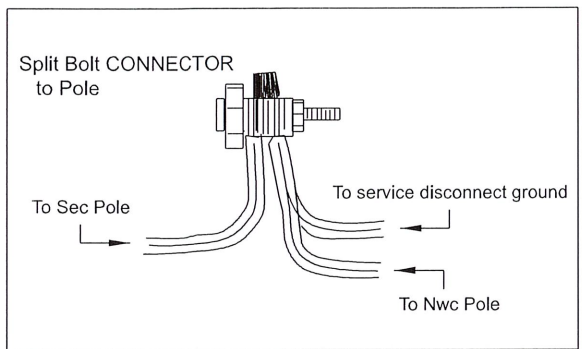


Diagram #4

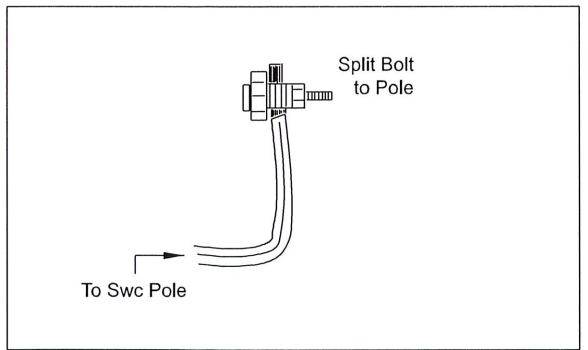


Diagram #1

*[Signature]*  
CITY ENGINEER

CITY OF TULSA, OKLAHOMA  
ENGINEERING SERVICES DEPARTMENT

*[Signature]*  
CITY TRAFFIC ENGINEER

BONDING DIAGRAM

REVISION	BY	DATE