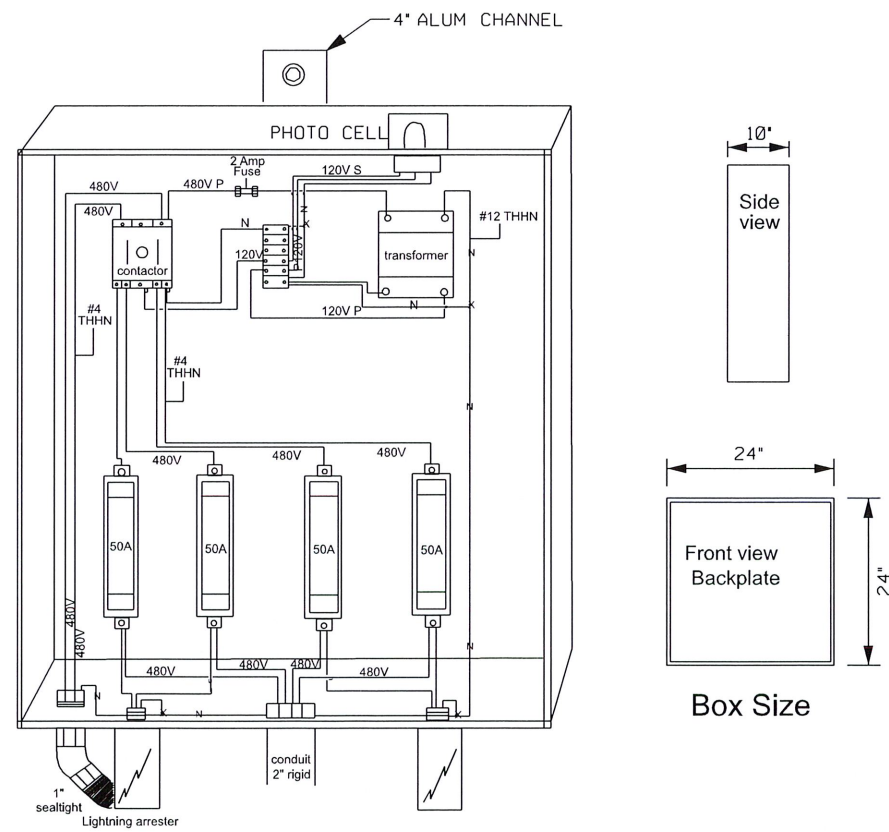
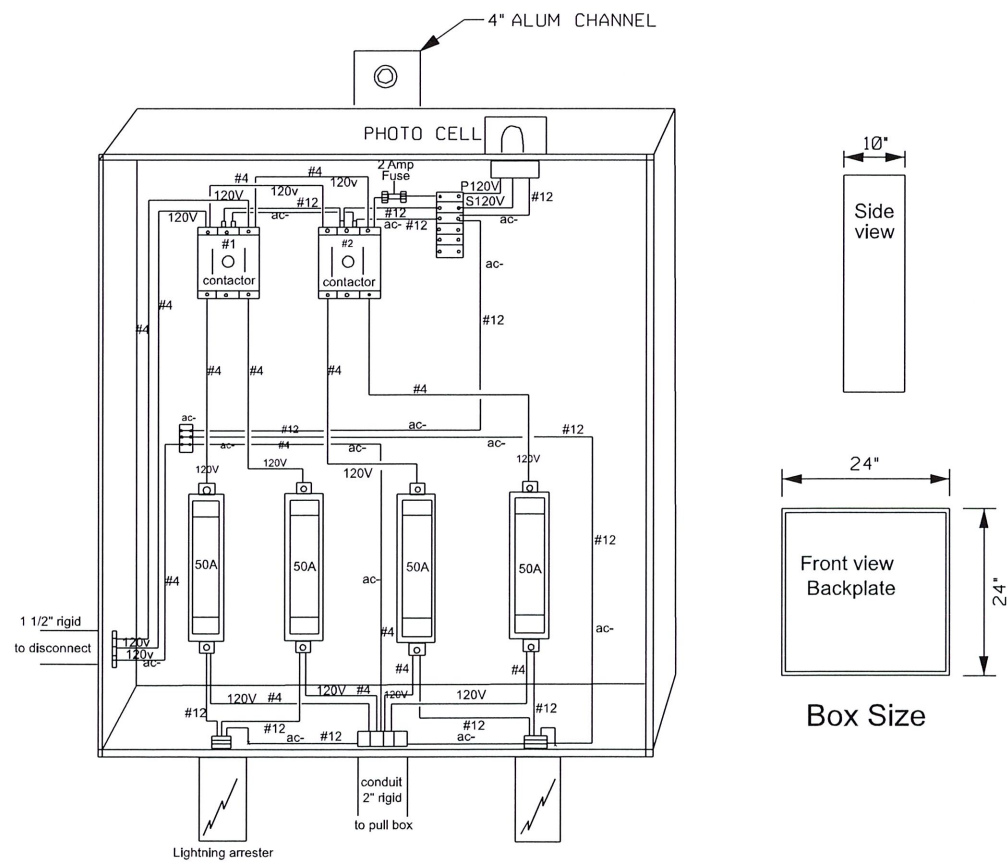
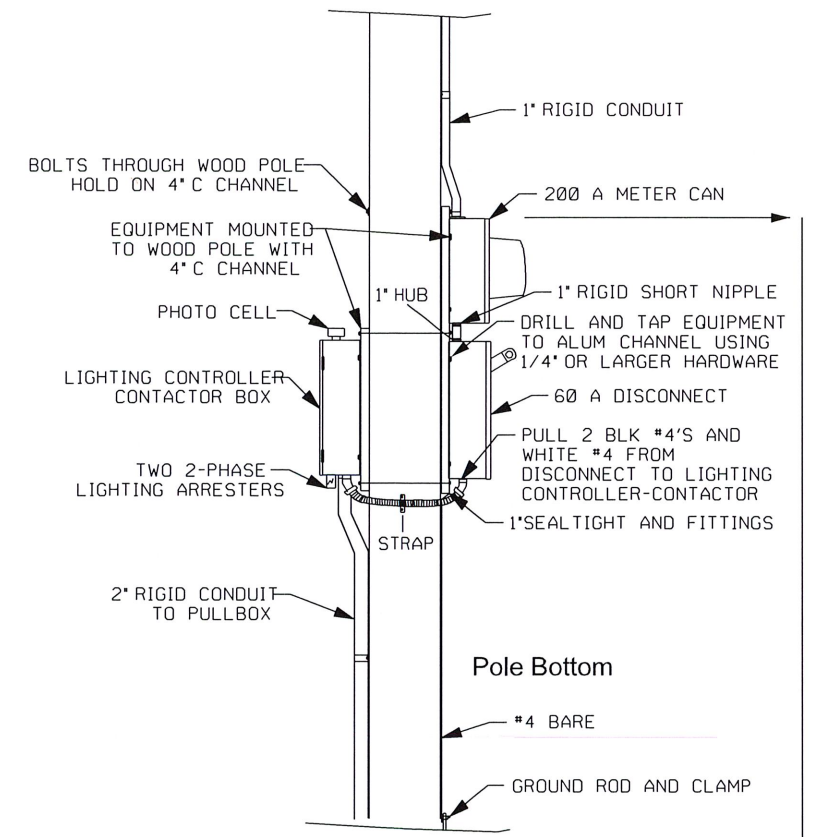
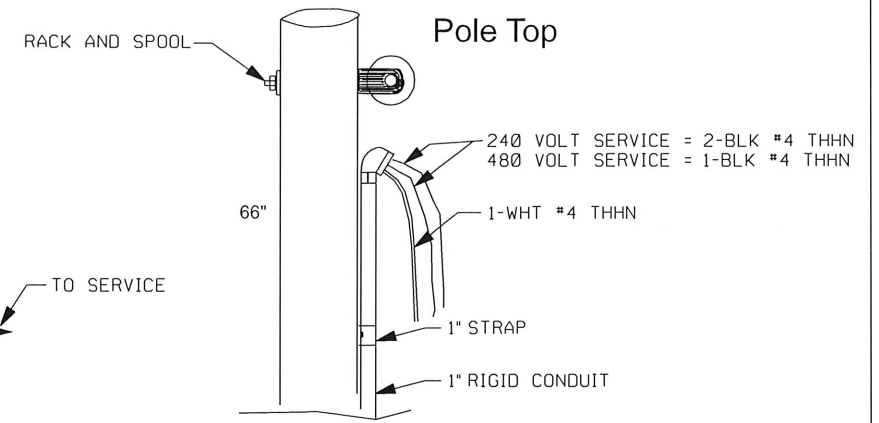
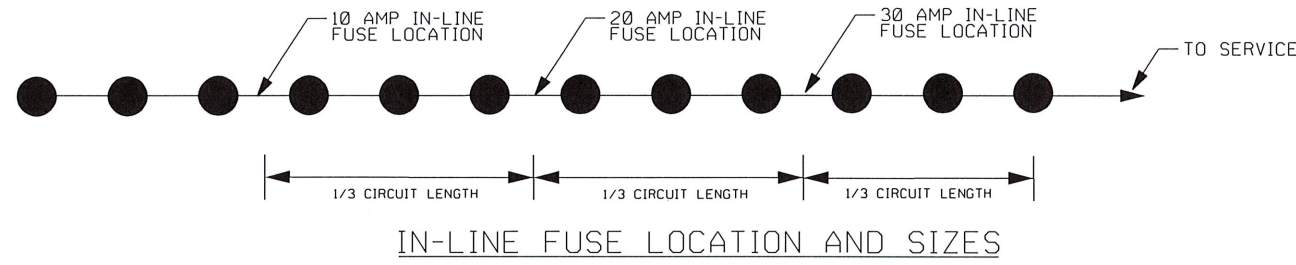
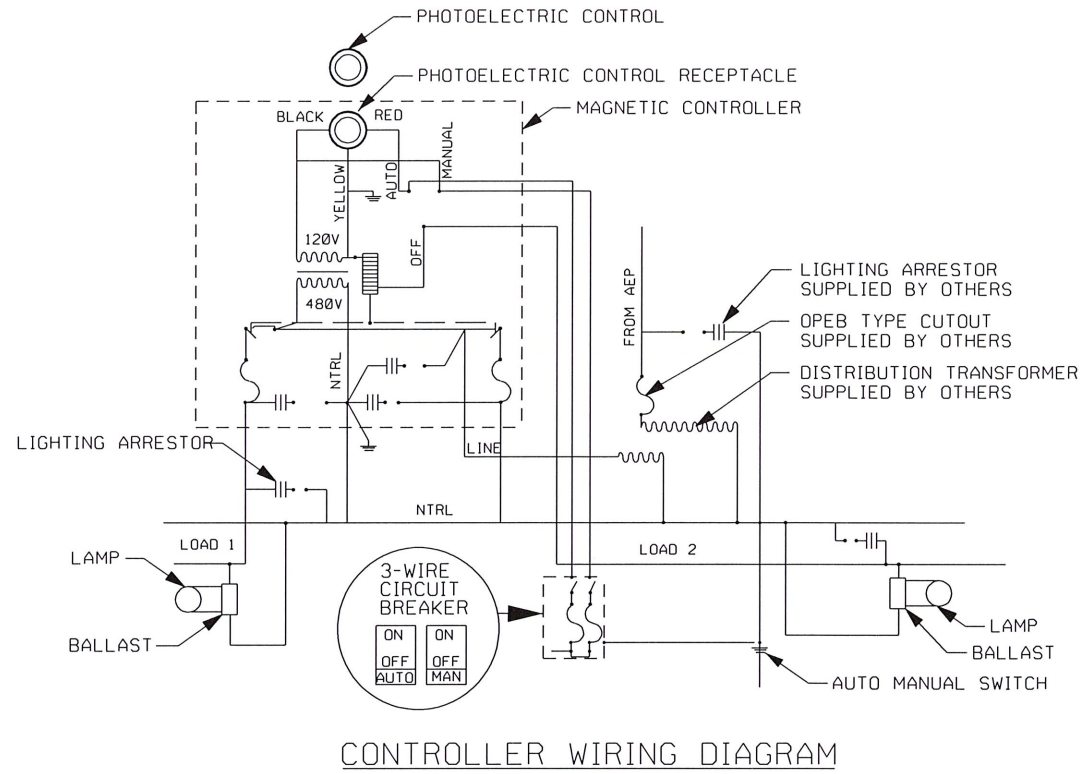


PATH NAME: /E1/PARTS/STD/DGN/STDS/621A-lighting-controller-det.dgn RMO 02/13/2017



240 VOLT LIGHTING CONTROLLER

480 VOLT LIGHTING CONTROLLER

REVISION	BY	DATE

[Signature]
CITY ENGINEER

[Signature]
CITY TRAFFIC ENGINEER

CITY OF TULSA, OKLAHOMA
ENGINEERING SERVICES DEPARTMENT

LIGHTING CONTROLLER DETAILS

DATE: MARCH 2022

STD. 621A