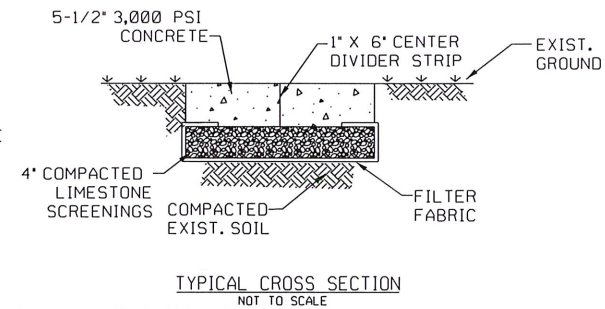
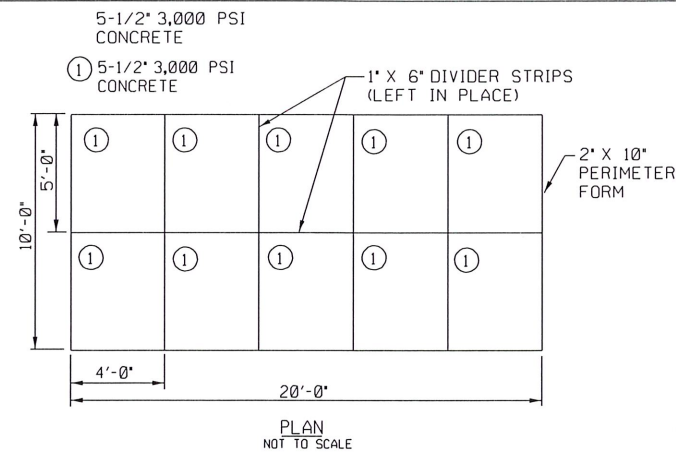
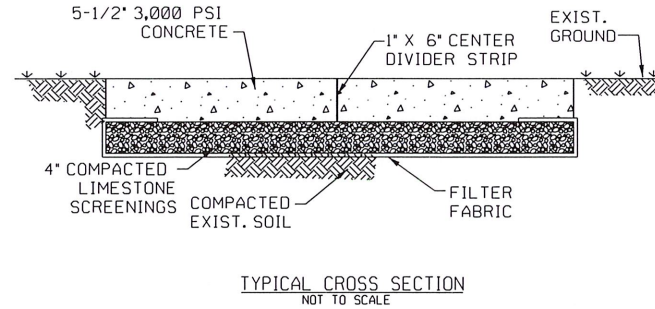
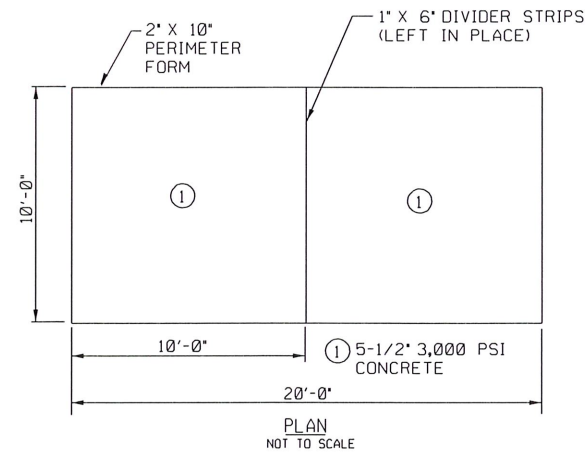


**LARGE CONCRETE STEPPING STONE OR CONCRETE PARKING SURFACE CONSTRUCTION NOTES:**

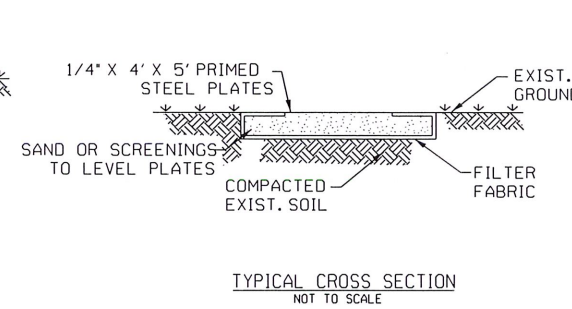
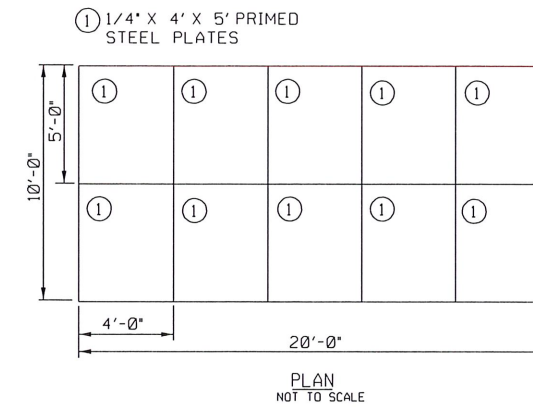
1. REMOVE 9-1/2" OF DIRT FROM PARKING SURFACE AREA INCLUDING ALL GRASS AND ROOTS.
2. LEVEL UP BOTTOM OF HOLE.
3. PACK DIRT IN BOTTOM OF HOLE.
4. USE 2' X 10" LUMBER AS THE OUTSIDE FORM FOR THE CONCRETE PARKING SURFACE. USE WOOD OR STEEL STAKES ON OUTSIDE OF FORM TO HOLD IT IN PLACE.
5. PLACE FILTER FABRIC IN BOTTOM OF HOLE AND ON INSIDE OF 2' X 10" FORM.
6. PLACE LIMESTONE SCREENINGS IN HOLE.
7. WATER AND PACK SCREENINGS UNTIL IT IS 4" THICK. TOP OF SCREENINGS SHOULD BE DENSE AND SMOOTH.
8. PLACE 1' X 6" DIVIDER STRIPS INSIDE THE FORMS AS SHOWN ON THE DRAWINGS.
9. BOTTOM OF THE DIVIDER STRIPS SHOULD BE AT THE TOP OF THE SCREENINGS.
10. POUR CONCRETE FOR AS MANY OF THE STEPPING STONES AT ONE TIME AS DESIRED, ONE AT A TIME OR ALL AT ONCE. CONCRETE SHALL BE 5-1/2" THICK. FINISH CONCRETE AS DESIRED.
11. REMOVE THE 2' X 10" OUTSIDE FORM ONE DAY AFTER POURING. LEAVE THE 1' X 6" DIVIDER STRIPS IN PLACE.
12. SOAK THE SURFACE OF THE CONCRETE TWICE A DAY FOR SEVEN DAYS BEGINNING ONE DAY AFTER CONCRETE IS PLACED.
13. PLACE DIRT AND GRASS AROUND THE EDGES OF THE CONCRETE PARKING SURFACE AFTER THE OUTSIDE FORM HAS BEEN REMOVED TO COMPLETE THE PROJECT.



LARGE CONCRETE STEPPING STONE PARKING SURFACE



CONCRETE PARKING SURFACE



STEEL PLATE PARKING SURFACE

**STEEL PLATE PARKING SURFACE CONSTRUCTION NOTES:**

1. REMOVE ALL GRASS AND ROOTS FROM AREA WHERE PARKING SURFACE IS TO BE BUILT.
2. LEVEL EXCAVATED SURFACE.
3. PACK EXISTING DIRT.
4. PLACE FILTER FABRIC IN BOTTOM AND SIDES OF THE HOLE.
5. FILL HOLE WITH SAND OR LIMESTONE SCREENINGS.
6. WATER SAND OR LIMESTONE SCREENINGS AND PACK. PLACE ADDITIONAL SAND OR LIMESTONE SCREENINGS IN THE HOLE AND PACK UNTIL THEY ARE LEVEL WITH EXISTING GROUND.
7. PAINT ALL SURFACES AND THE EDGES OF THE STEEL PLATES WITH METAL PRIMER.
8. PLACE STEEL PLATES AS SHOWN ON DRAWINGS.
9. PLACE DIRT AND GRASS AROUND HOLE AS NEEDED TO COMPLETE PROJECT.

**RAILROAD TIE PARKING SURFACE CONSTRUCTION NOTES:**

1. REMOVE 6" OF DIRT FROM PARKING SURFACE AREA, INCLUDING ALL GRASS AND ROOTS.
2. LEVEL UP BOTTOM OF HOLE.
3. PACK DIRT IN THE BOTTOM OF HOLE.
4. PLACE FILTER FABRIC IN BOTTOM OF THE HOLE AND ON THE SIDES OF THE HOLE.
5. PUT LAYER OF SAND OR LIMESTONE SCREENINGS TO LEVEL UP AND SET RAILROAD TIES.
6. PLACE TIES IN HOLES AS SHOWN ON DRAWINGS.
7. TOE-NAIL ENDS OF TIES TO EACH OTHER USING TIMBER SPIKES.
8. PLACE DIRT BETWEEN TIES TO FILL ANY GAPS, AS NEEDED.
9. PLACE DIRT AND GRASS AROUND EDGES OF HOLE AS NEEDED TO COMPLETE PROJECT.

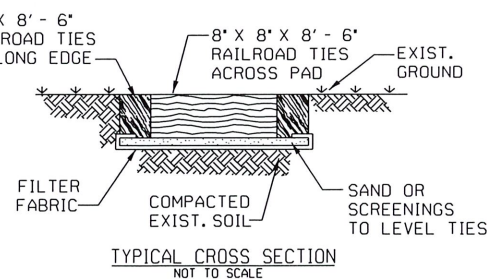
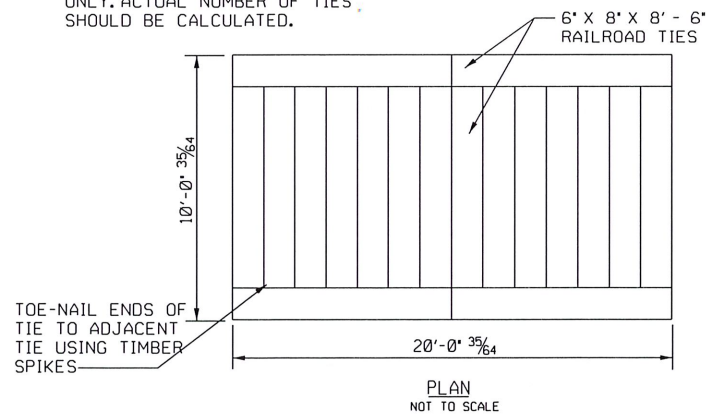
**BRICK PAVER PARKING SURFACE CONSTRUCTION NOTES:**

1. REMOVE 8" OF DIRT FROM PARKING SURFACE AREA INCLUDING ALL GRASS AND ROOTS.
2. LEVEL UP BOTTOM OF HOLE.
3. PACK DIRT IN BOTTOM OF HOLE.
4. PLACE FILTER FABRIC ON BOTTOM AND SIDES OF HOLE.
5. PLACE LIMESTONE SCREENINGS IN HOLE ABOUT 4" DEEP.
6. WATER AND PACK SCREENINGS. TOP OF SCREENINGS SHOULD BE DENSE AND SMOOTH.
7. PLACE ANOTHER LAYER OF SCREENINGS IN THE HOLE.
8. WATER AND PACK SCREENINGS. COMBINED THICKNESS OF THE TWO LAYERS SHALL BE 6". TOP OF SCREENINGS SHOULD BE DENSE AND SMOOTH.
9. INSTALL COMMERCIAL GRADE METAL LANDSCAPE EDGING AROUND OUTSIDE EDGES OF PARKING SURFACE TO SERVE AS A FORM FOR THE BRICK PAVERS.
10. PLACE BRICK IN DESIRED PATTERN ON TOP OF SCREENINGS.
11. SWEEP SAND INTO BRICK JOINTS.
12. GENTLY AND LIGHTLY SPRAY WATER ON THE JOINTS WHEN THE PARKING SURFACE IS COMPLETE. REFILL JOINTS WITH ADDITIONAL SAND AS NEEDED. THE SAND LOCKS THE BRICK PAVERS TOGETHER.
13. PLACE GRASS AND DIRT AROUND THE EDGES OF THE BRICK PAVER PARKING SURFACE TO COMPLETE THE PROJECT.

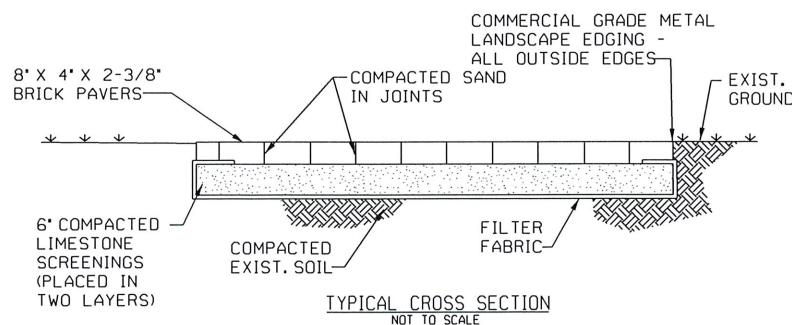
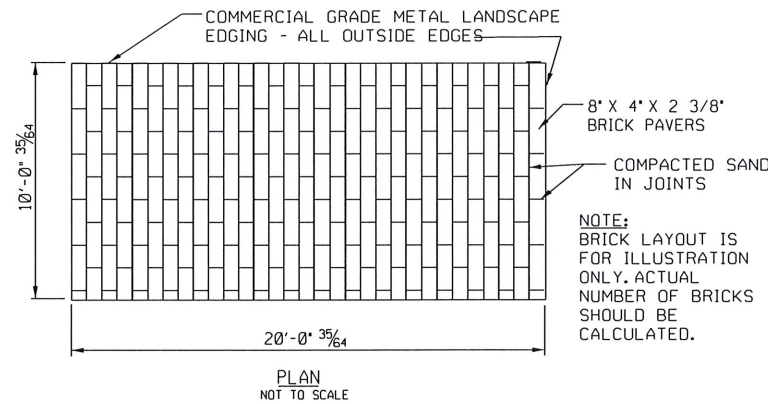
**FLAGSTONE PARKING SURFACE CONSTRUCTION NOTES:**

1. CHOOSE FLAGSTONES THAT ARE AT LEAST 4" THICK AND AS LARGE AS PRACTICAL.
2. REMOVE ENOUGH DIRT FROM PARKING SURFACE AREA TO MAKE THE HOLE DEEP ENOUGH FOR THE FLAGSTONES AND 4" OF PACKED LIMESTONE SCREENINGS. REMOVE ALL GRASS AND ROOTS.
3. LEVEL UP BOTTOM OF HOLE.
4. PACK DIRT IN BOTTOM OF HOLE.
5. PLACE FILTER FABRIC ON BOTTOM AND SIDES OF HOLE.
6. PLACE LIMESTONE SCREENINGS IN HOLE.
7. WATER AND PACK SCREENINGS UNTIL IT IS 4" THICK. TOP OF SCREENINGS SHOULD BE DENSE AND SMOOTH.
8. PLACE AND SEAT FLAGSTONES ON TOP OF SCREENINGS.
9. MAKE FLAGSTONES FIT AS TIGHT AS PRACTICAL. MAKE JOINTS AS SMALL AS POSSIBLE. ANY LARGE SPACES SHOULD BE MADE SMALLER BY PLACING SMALL FLAGSTONES IN THEM.
10. PACK DRY CONCRETE MORTAR MIX INTO THE JOINTS.
11. GENTLY AND LIGHTLY SPRAY WATER ON THE JOINTS WHEN THE FLAGSTONE PARKING SURFACE IS COMPLETED. REFILL JOINTS WITH ADDITIONAL MORTAR MIX AS NEEDED.
12. PLACE GRASS AND DIRT AROUND THE EDGES OF THE FLAGSTONE PARKING SURFACE TO COMPLETE THE PROJECT.

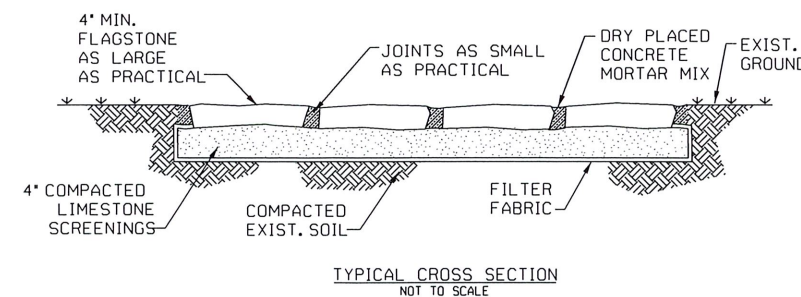
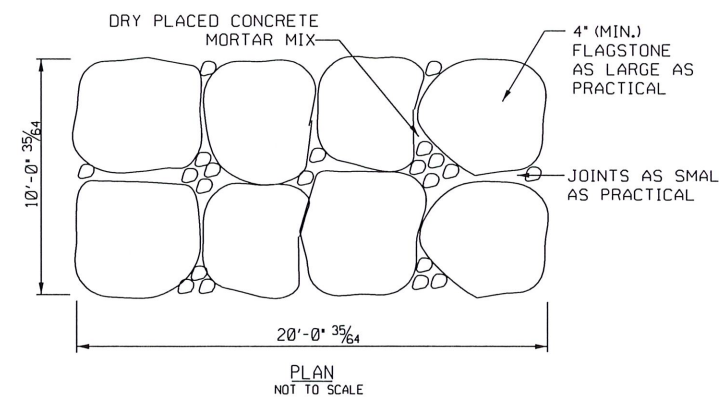
**NOTE:**  
TIE LAYOUT IS FOR ILLUSTRATION ONLY. ACTUAL NUMBER OF TIES SHOULD BE CALCULATED.



RAILROAD TIE PARKING SURFACE



BRICK PAVER PARKING SURFACE



FLAGSTONE PARKING SURFACE

**NOTE:**  
HEAVIER VEHICLES SUCH AS MOTOR HOMES AND TRACTOR TRAILERS SHOULD HAVE AN INCREASE IN THE BASE THICKNESS BY A FACTOR OF TWO. HOMEOWNERS SHALL USE PROPER CONSTRUCTION TECHNIQUES AND HAVE A CONTINUOUS MAINTENANCE PROGRAM.

*[Signature]*  
CITY ENGINEER  
  
*[Signature]*  
DESIGN MANAGER

CITY OF TULSA, OKLAHOMA  
ENGINEERING SERVICES DEPARTMENT

ALL-WEATHER PARKING SURFACES  
FOR LIGHT DUTY  
RESIDENTIAL PARKING

REVISION	BY	DATE

DATE: MARCH 2022

STD. 732