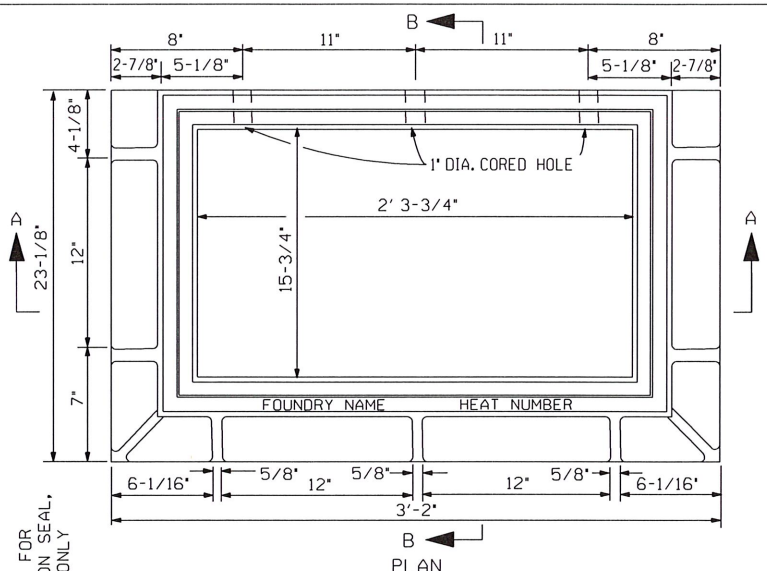
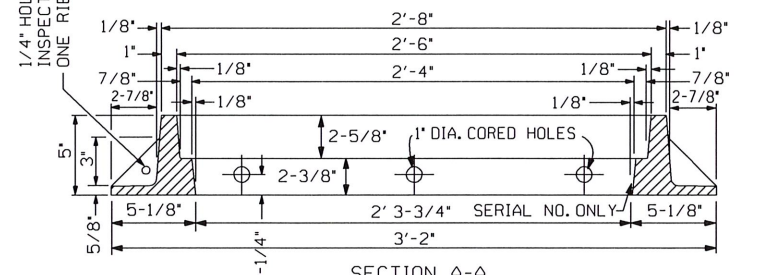


PATH NAME: /E1/PARTS/STD/DGN\_STD/765-STD-STMWTR-FRAMES.DGN SBW 12/27/2012

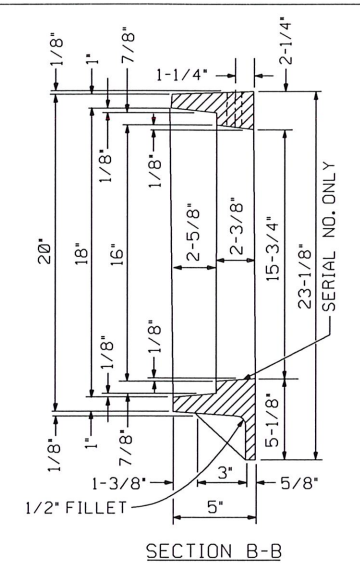


PLAN



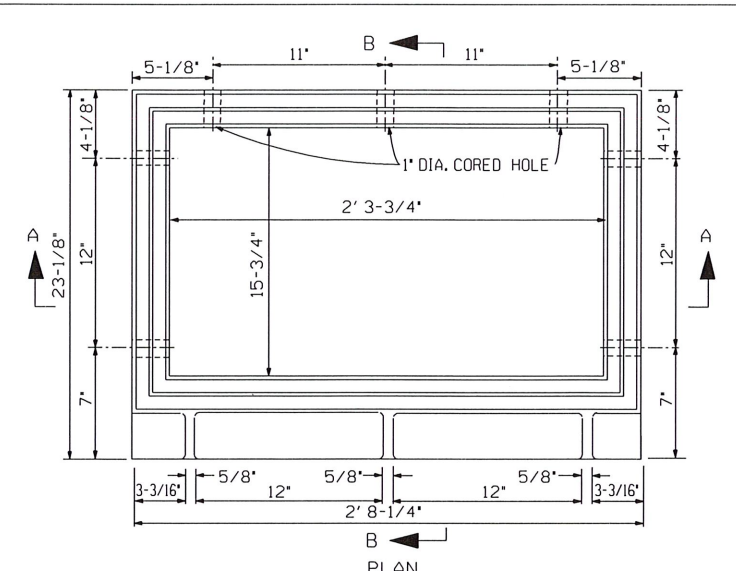
SECTION A-A

STORM SEWER INLET FRAME TYPE "A"  
FOR INLET DESIGN NO. 1  
FOR USE WITH TYPE "A" GRATE

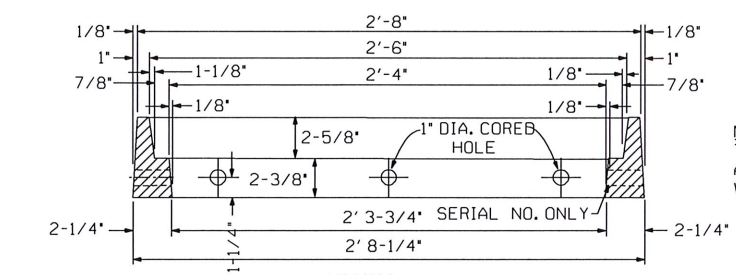


SECTION B-B

NOTE:  
ONLY ONE TYPE A FRAME IS REQUIRED FOR  
INLET DESIGN NO. 1  
WEIGHT - 252 LBS.



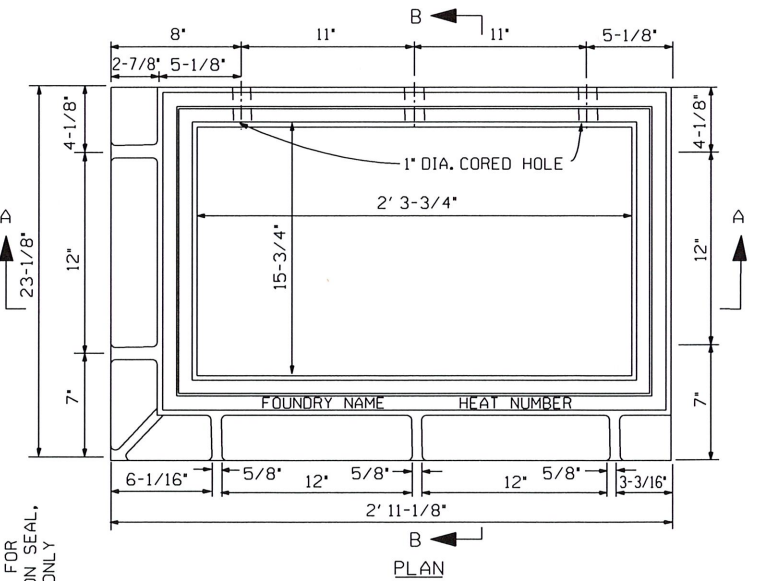
PLAN



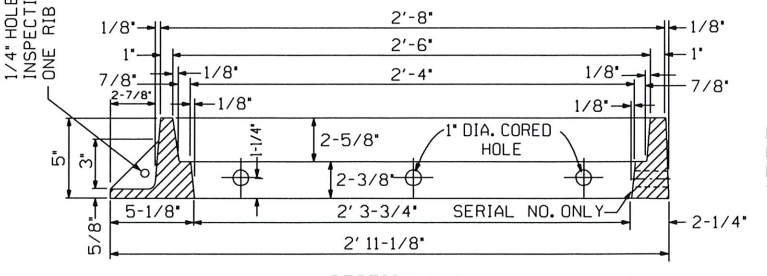
SECTION A-A

STORM SEWER INLET FRAME TYPE "C"  
FOR INLET DESIGN NO. 3  
FOR USE WITH TYPE "A" GRATE

NOTE:  
TWO TYPE "B" FRAMES AND ONE TYPE "C" FRAME  
ARE REQUIRED FOR INLET DESIGN 3  
WEIGHT - 217 LBS.

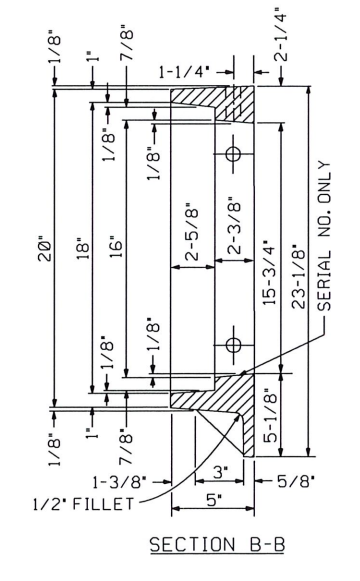


PLAN



SECTION A-A

STORM SEWER INLET FRAME TYPE "B"  
FOR INLET DESIGN NO. 2 AND 3  
FOR USE WITH TYPE "A" GRATE



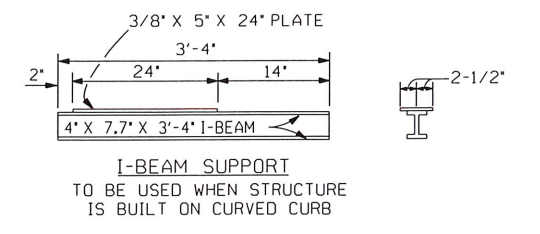
SECTION B-B

NOTE:  
MAKE ONE FRAME AS SHOWN AND ONE  
REVERSED FOR DOUBLE FRAMES.  
WEIGHT - 234 LBS.

GENERAL NOTES

- CASTINGS FOR FRAME SHALL CONFORM TO THE ASTM SPECIFICATIONS FOR GRAY-IRON CASTINGS, SERIAL DESIGNATION A-48-76 CLASS 30-B OR BETTER.
- NO WORDING OR MARKING OF ANY KIND OTHER THAN THOSE SHOWN ON THE PLAN WILL BE PERMITTED ON THESE CASTINGS.
- ALL NUTS AND BOLTS SHALL BE CADMIUM PLATED OR GALVANIZED.
- IF BUILT ON A STRAIGHT CURB, THE FRAMES FOR INLET DES. NO. 2 REQUIRES TWO 3/4" X 5" BOLTS WITH NUTS TO SECURE THE SIDES OF THE FRAMES TOGETHER AND ONE I-BEAM SUPPORT (4" X 7.7" X 3'-4").
- IF BUILT ON A CURVED CURB, THE FRAMES FOR INLET DES. NO. 2 REQUIRE ONE 3/4" X 5" AND ONE 3/4" X 6" OR 6 1/2" BOLTS WITH NUTS TO SECURE THE SIDES OF THE FRAMES TOGETHER AND ONE I-BEAM SUPPORT (4" X 7.7" X 3'-4") WITH A 5" X 24" X 3/8" PLATE TO BE SPOT WELDED AT 4 PLACES ON EACH SIDE OF THE I-BEAM FLANGE.
- WHEN TYPE C FRAMES ARE USED IN STRAIGHT CURB, THE NUMBER OF 3/4" X 5" BOLTS REQUIRED IS TWICE THE NUMBER OF "C" FRAMES PLUS 2. THE NUMBER OF I-BEAM SUPPORTS REQUIRED IS EQUAL TO THE NUMBER OF "C" FRAMES.
- COST OF STRUCTURAL STEEL I-BEAMS, ANGLE IRON, AND NUTS AND BOLTS TO BE INCLUDED IN THE PRICE BID FOR INLET.
- STRUCTURAL STEEL I-BEAMS AND ANGLES SHALL HAVE TWO SHOP COATS RUST INHIBITIVE PRIMER. COST TO BE INCLUDED IN PRICE BID FOR INLET.

TOLERANCES	INCHES	
	PLUS	MINUS P
DIAMETER OF ROUND LIDS AND FRAME RECESS FOR ROUND LIDS	1/16"	1/16"
LENGTH AND WIDTH OF SQUARE OR RECTANGULAR LIDS	1/16"	1/8"
LENGTH AND WIDTH OF FRAME RECESS FOR SQUARE OR RECTANGULAR LIDS	1/8"	1/16"
METAL THICKNESS	1/16"	1/16"
ALL OTHER DIMENSIONS	1/8"	1/8"



*[Signature]*  
CITY ENGINEER  
CITY OF TULSA, OKLAHOMA  
ENGINEERING SERVICES DEPARTMENT

REVISION	BY	DATE

*[Signature]*  
DESIGN MANAGER

STANDARD STORMWATER FRAMES  
DATE: MARCH 2022  
STD. 765