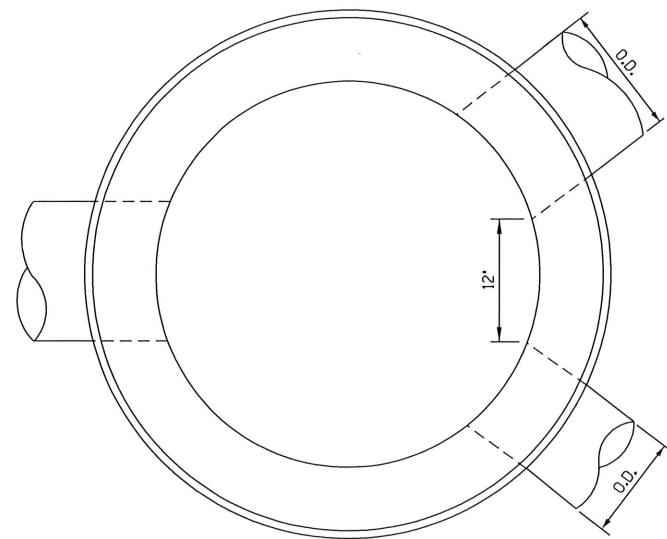


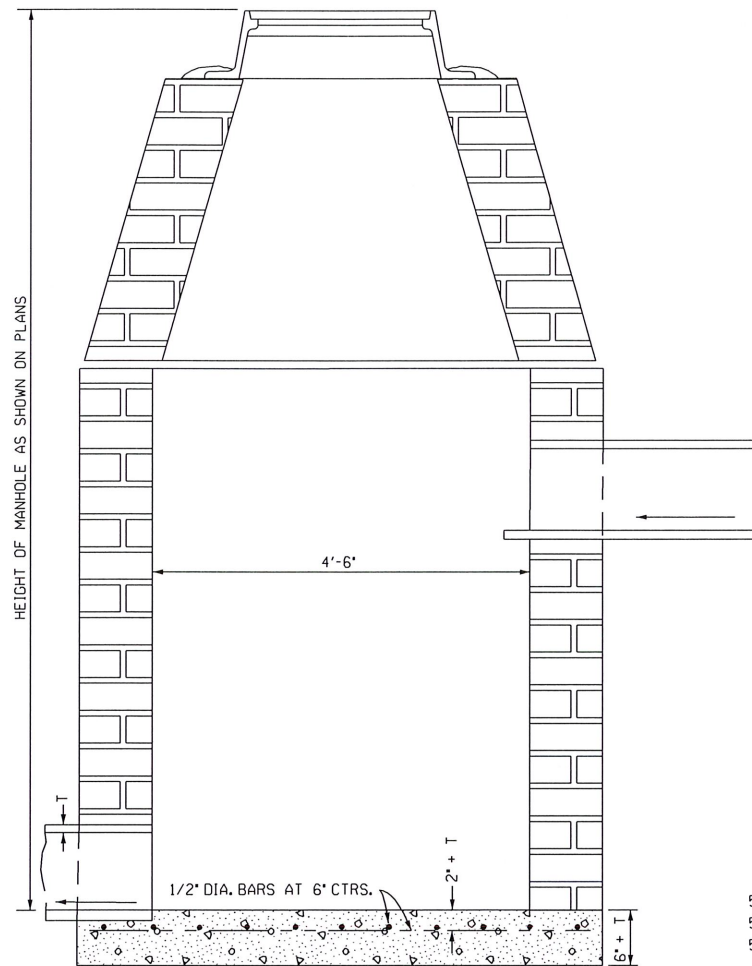
ELEVATION



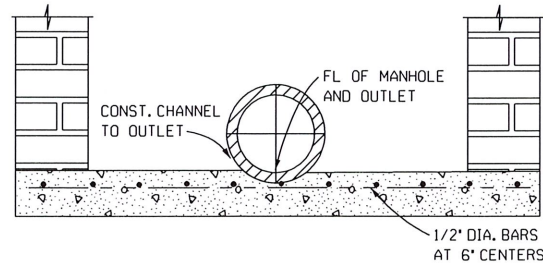
PLAN

DETAIL STANDARD MANHOLE

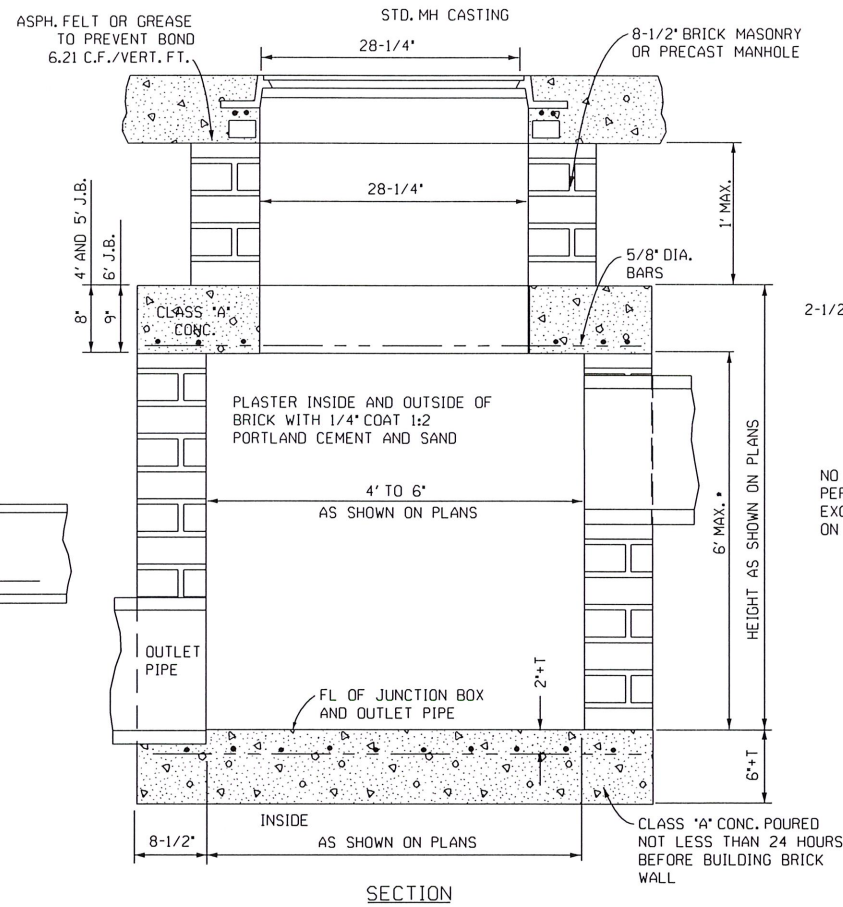
NOTE:
THE MINIMUM HORIZONTAL DISTANCE BETWEEN PIPES ENTERING THE MANHOLE SHALL BE 12" (MEASURED AT THE INTERIOR WALL OF MANHOLE).
O.D.-OUTSIDE DIAMETER



DROP INLET FOR STORM SEWER



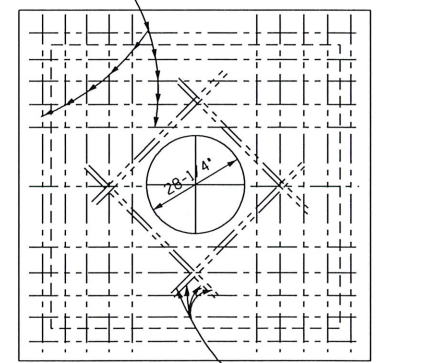
SECTION AT BOTTOM OF MANHOLE



SECTION

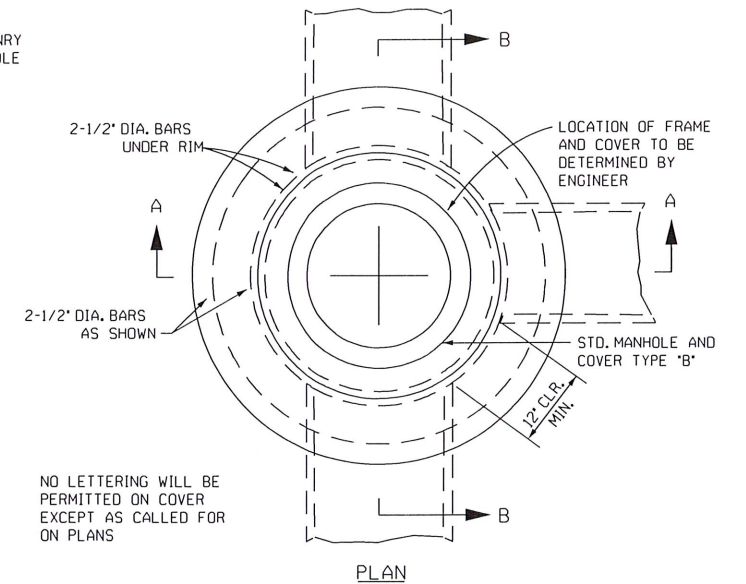
5/8" DIA. BARS AT 6" C/C - 4' J.B.
5/8" DIA. BARS AT 7" C/C - 5' J.B.
5/8" DIA. BARS AT 6" C/C - 6' J.B.

* FOR DEPTHS OR WIDTHS GREATER THAN 6' USE REINFORCED CONCRETE JUNCTION BOX

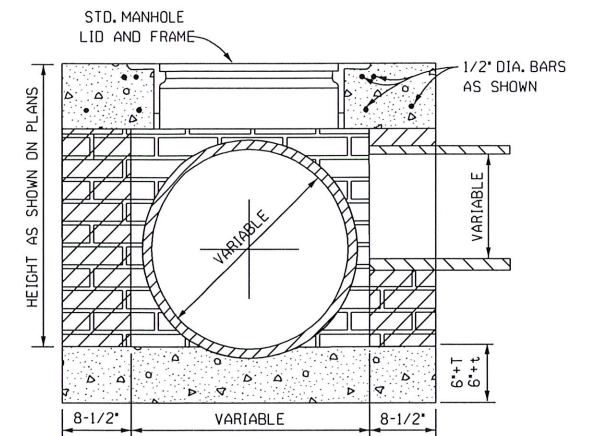


TOP PLAN

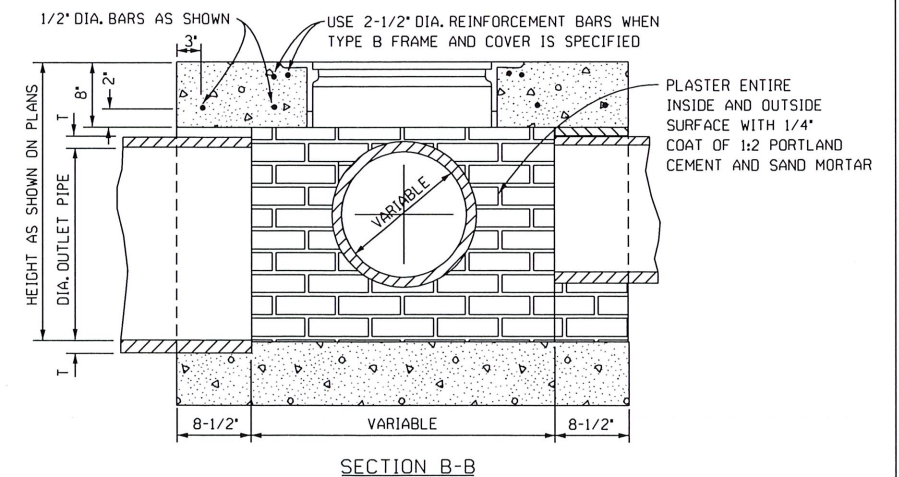
DETAIL OF JUNCTION BOX 4' TO 6'



PLAN



SECTION A-A



SECTION B-B

DETAIL OF SHALLOW MANHOLE MAX. 4' DEPTH

NOTE: NOT TO BE USED WITHIN PAVING SECTION

NOTE:

1. ALL MANHOLES TO BE 4' INSIDE DIAMETER, UNLESS OTHERWISE NOTED.
2. FOR DETAILS OF FRAME AND COVER, SEE STANDARD MANHOLE FRAME AND COVER.
3. PRECAST OR CAST IN PLACE STRUCTURES MAY BE USED IN LIEU OF THIS STANDARD UPON APPROVAL OF ENGINEER.
4. MORTAR TO BE 1:2 PORTLAND CEMENT AND SAND. NO BUTT JOINTS SHALL BE USED.
5. MANHOLE PAID FOR AS "MANHOLES" (EACH) TO 5'-0" IN HEIGHT, INCLUDING FRAME AND COVER. HEIGHT OVER 5' WILL BE PAID FOR AS ADDITIONAL DEPTH MANHOLES PER VERTICAL FOOT.
6. WALL THICKNESS TO BE 8-1/2" REGARDLESS OF DEPTH.
7. COST OF REINFORCING STEEL TO BE INCLUDED IN PRICE BID FOR JUNCTION BOX.
8. ALL MANHOLE LIDS AND FRAMES PER STANDARD DRAWINGS.

REVISION	BY	DATE

Kalder
CITY ENGINEER

HAB
DESIGN MANAGER

CITY OF TULSA, OKLAHOMA
ENGINEERING SERVICES DEPARTMENT

STANDARD MASONRY MANHOLE
AND JUNCTION BOX
(FOR REHAB AND REFERENCE ONLY)

DATE: MARCH 2022

STD. 774