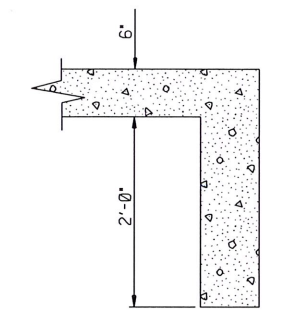
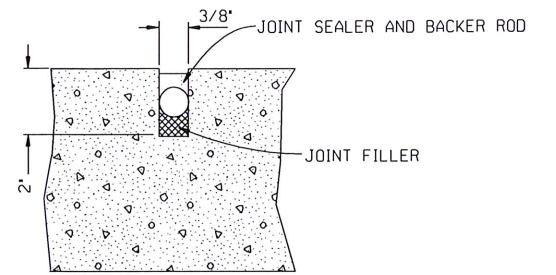


- (1) FILL WITH SOIL TO 1' ABOVE TOP OF CONCRETE CHANNEL EDGE AND COMPACT.
- (2) LAY SOD ON TOP OF COMPACTED SOIL.
- (3) ALL DISTURBED EARTH SHALL BE SLAB SODDED.
- (4) LENGTH WILL VARY WITH PIPE SIZE. SEE SLOPEWALL STANDARD.
- (5) MIN. 4" TOE WALLS NEEDED AT 'OPEN' ENDS OF CHANNEL WHEN DISCHARGING INTO PONDS, CHANNELS, ETC.

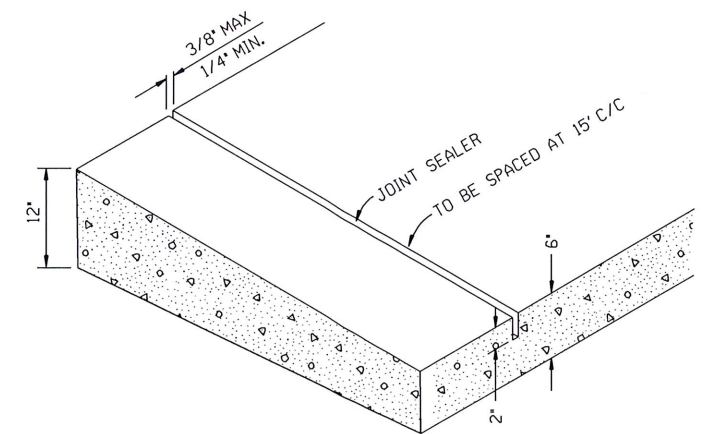


CURTAIN WALL DETAIL

CURTAIN WALLS TO RUN CONTINUOUSLY ALONG SIDES OF CHANNEL, AND AT THE END OF THE DAY'S CONCRETE PLACEMENT. CURTAIN WALLS TO BE 2 FEET INTO UNDISTURBED SOIL OR 1 FOOT INTO ROCK.

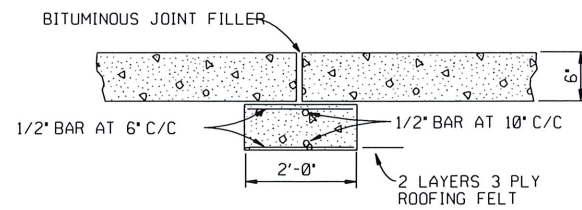


CONTRACTION JOINT



CONTRACTION JOINT

NOTE: REINFORCING STEEL NOT SHOWN.



EXPANSION AND CONSTRUCTION JOINT

(TO BE USED AT STOPPAGE OF 30 MINUTES OR MORE. MINIMUM SPACING SHALL BE 80' C/C. THIS MAY BE CONSTRUCTED AS PART OF THE CUT OFF WALL.)

NOTE: REINFORCING STEEL NOT SHOWN.

NOTE:

1. CONTRACTUAL SAWED JOINTS 2" DEEP AT 15' C/C.
2. REINFORCING SHALL COMPLY WITH ACI 318.71, SECTION 7.13. RATIOS OF REINFORCING TO CONCRETE WILL BE .0018 MINIMUM. NO WELDED WIRE FABRIC IS ALLOWED.
3. CHANNEL DESIGN LOAD SHALL BE A MINIMUM OF 10,000 LB. WHEEL LOAD.
4. BANKS OPPOSITE STORM OUTFALL TO BE PROTECTED.
5. NO ABOVE GROUND UTILITIES, SHRUBS, TREES, OR STRUCTURES SHALL BE CONSTRUCTED IN EASEMENT. EASEMENTS TO REMAIN CLEAR FOR HEAVY EQUIPMENT ACCESS OR PASSAGE.
6. CONCRETE PAD SHALL EXTEND FROM SLOPEWALLS TO CHANNEL.
7. STEEL REINFORCING TO BE DESIGNED BY ENGINEER.

REVISION	BY	DATE

[Signature]
CITY ENGINEER

[Signature]
DESIGN MANAGER

CITY OF TULSA, OKLAHOMA
ENGINEERING SERVICES DEPARTMENT

STANDARD LOW-FLOW CONCRETE CHANNEL
TYPICAL LAYOUT
(FOR REHAB AND REFERENCE ONLY)

DATE: MARCH 2022 STD. 782