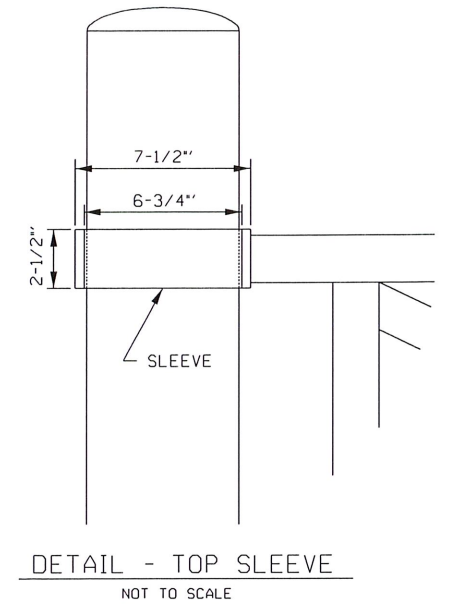
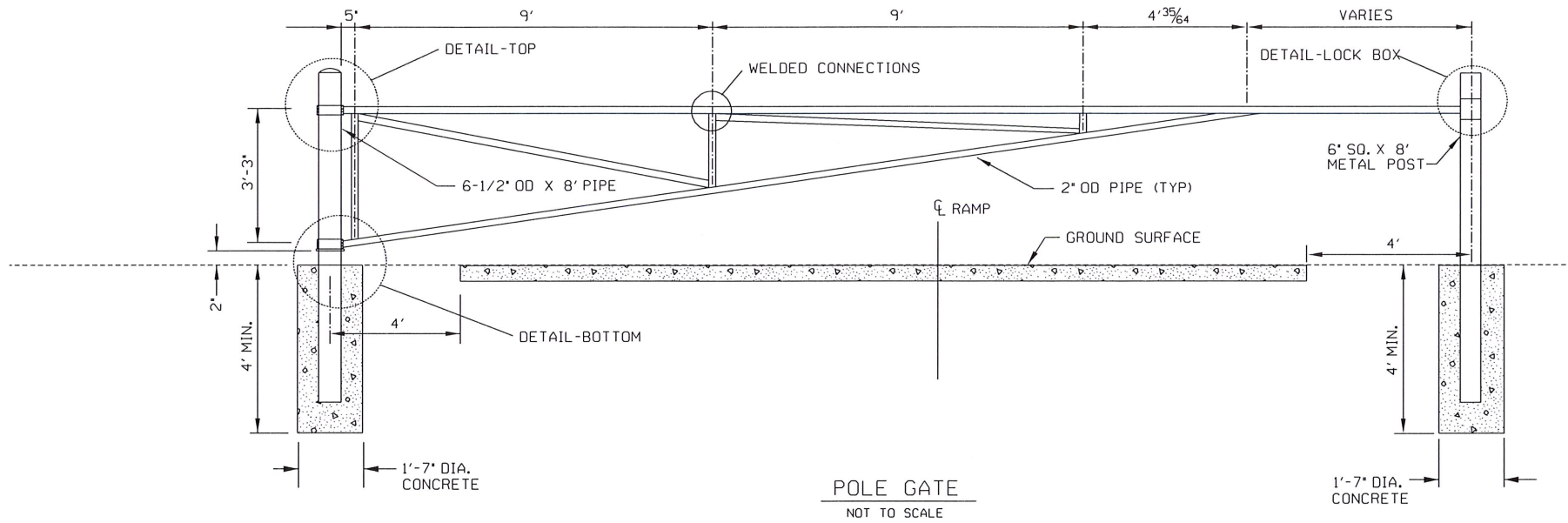
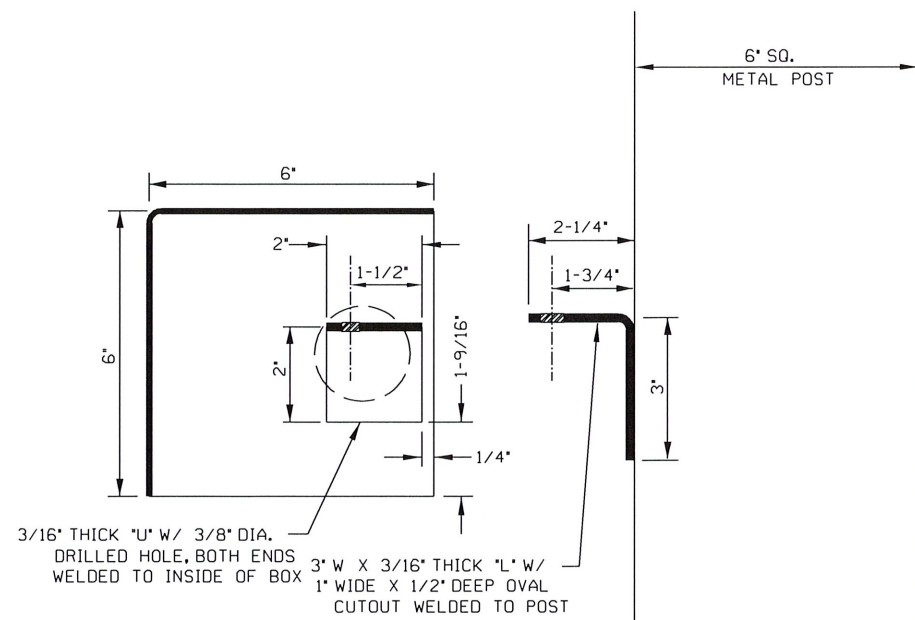


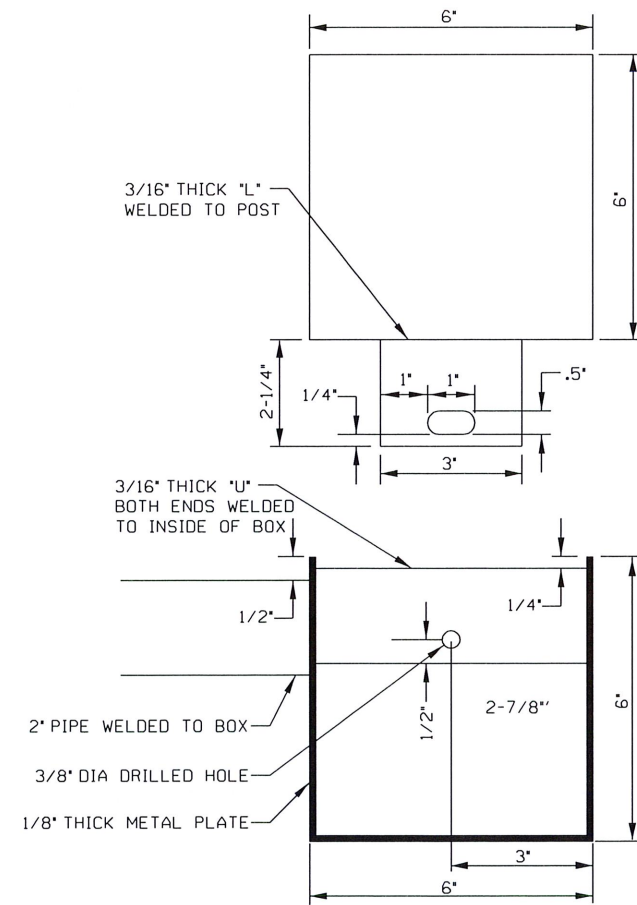
PATH NAME: /E1/PARTS/STD/DCN.STDS/788-SINGLE-POLE-GATE.DGN LFM 05/16/2012



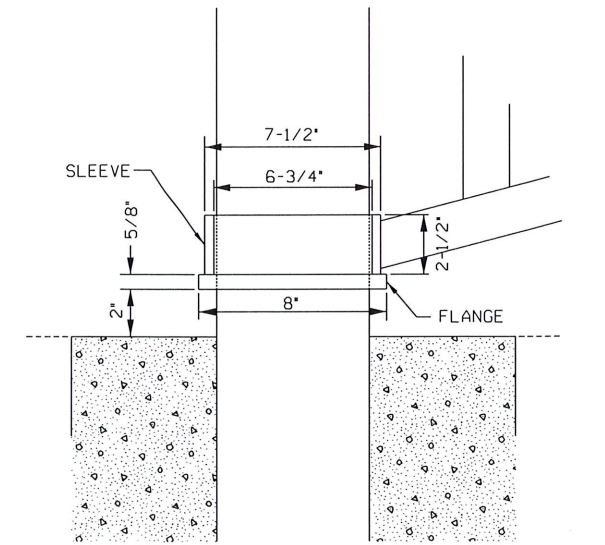
DETAIL - TOP SLEEVE
NOT TO SCALE



DETAIL - LOCK BOX - SIDE VIEW (CUTAWAY)
NOT TO SCALE



DETAIL - LOCK BOX - TOP VIEW (CUTAWAY)
NOT TO SCALE



DETAIL - BOTTOM SLEEVE AND FLANGE
NOT TO SCALE

REVISION	BY	DATE

Walters
CITY ENGINEER

HAS
DESIGN MANAGER

CITY OF TULSA, OKLAHOMA
ENGINEERING SERVICES DEPARTMENT

SINGLE POLE GATE

DATE: MARCH 2022

STD. 788