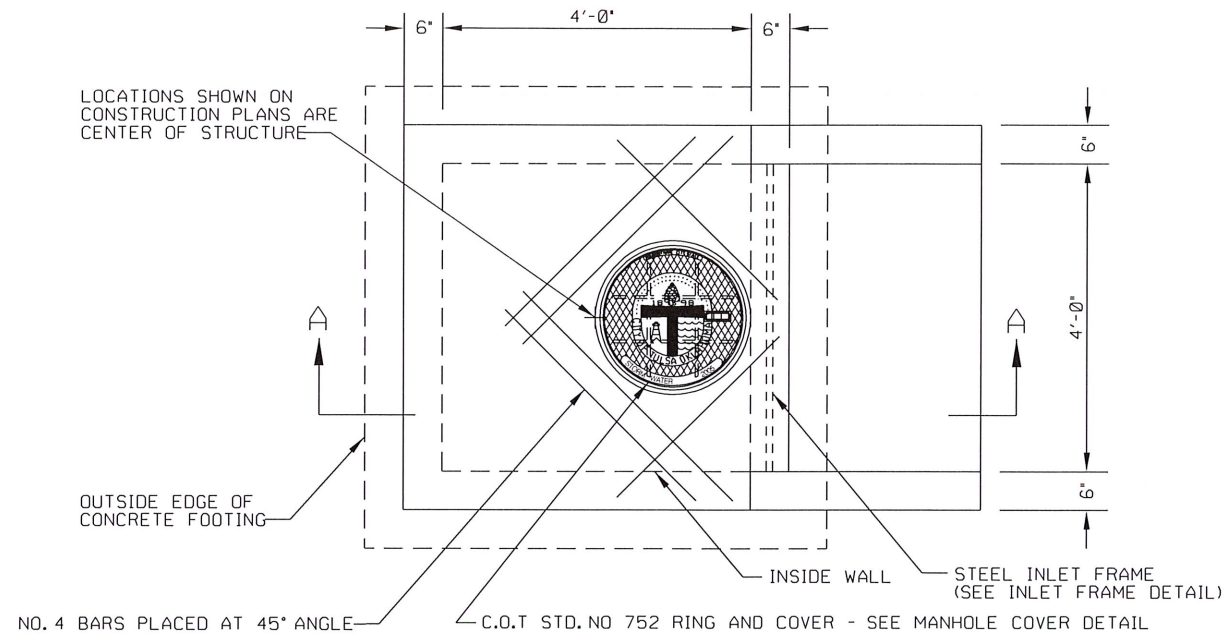
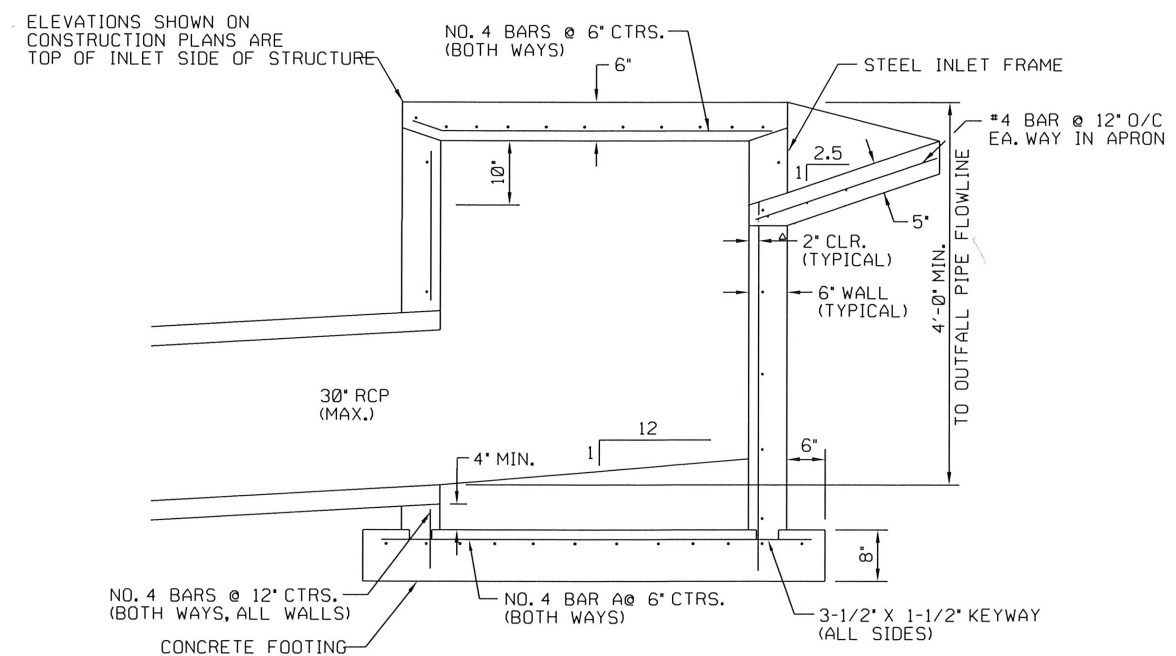


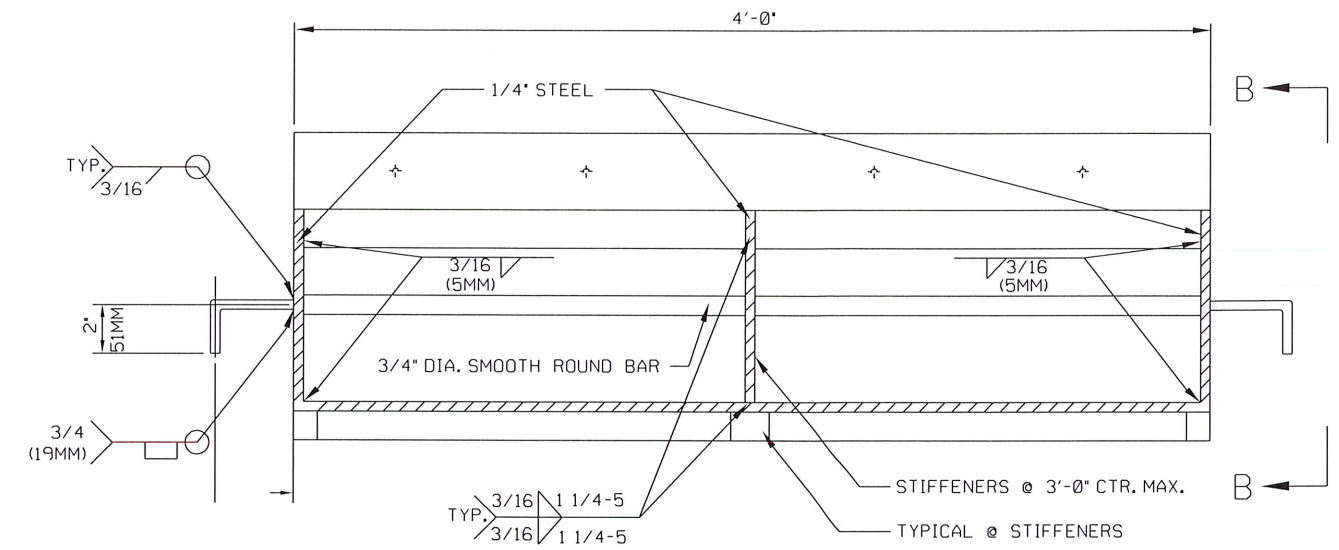
PATH NAME: /E1/PARTS/STD/DCN/STD/792-SPECIAL-TYPEII-DROP-INLET.DGN RMD 05/04/2020



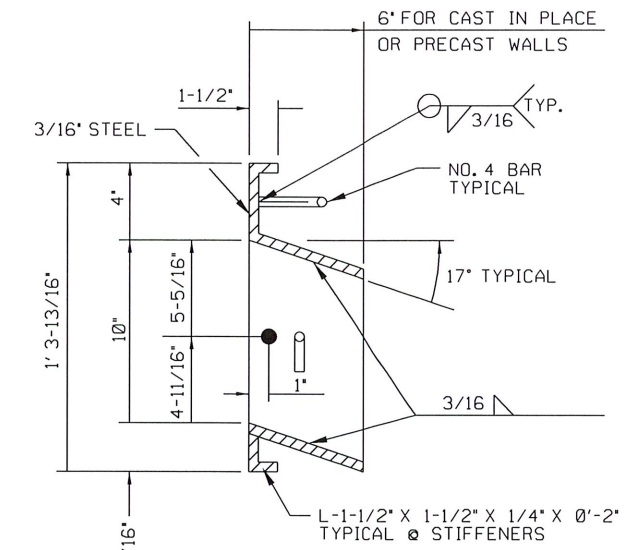
PLAN VIEW



SECTION A-A



FRONT VIEW



SECTION B-B

10" STEEL INLET FRAME

AS MANUFACTURED BY SHAWNEE STEEL & WELDING, INC. OR APPROVED EQUAL.

AREA INLET NOTES

1. ALL STORM SEWER STRUCTURES SHALL BE PRE-CAST OR CAST IN PLACE. MASONRY CONSTRUCTION WILL NOT BE ALLOWED.
2. BERM LOCATION AND ELEVATION MAY VARY. SEE GRADING PLAN FOR EXACT LOCATION.
3. CONCRETE CONSTRUCTION SHALL MEET THE APPLICABLE REQUIREMENTS OF 2019 STANDARD SPECIFICATIONS FOR STATE ROAD AND BRIDGE CONSTRUCTION.
4. INLET FLOORS SHALL BE SHAPED WITH NON-REINFORCED CONCRETE INVERTS TO PROVIDE SMOOTH FLOW.
5. BEVEL ALL EXPOSED CONCRETE EDGES WITH 3/4" CHAMFER STRIPS.
6. REINFORCING STEEL SHALL BE GRADE 60 AS PER ASTM A615 AND SHALL BE BENT COLD.
7. ALL LAP SPLICES SHALL BE A MINIMUM OF 40 BAR DIAMETERS IN LENGTH.

STEEL INLET FRAME NOTES

1. ALL WELDS SHALL BE PERFORMED WITH APPROPRIATE AWS SPECIFICATIONS AND PROCEDURES.
2. ALL WELDS ON EXPOSED SURFACES SHALL BE DRESSED SO AS TO PROVIDE A PLEASING FINISHED APPEARANCE.
3. THE ENTIRE FRAME SHALL BE HOT DIP ZINC COATED IN ACCORDANCE WITH ASTM A-123.

Kurt S. ...
CITY ENGINEER

HAS
DESIGN MANAGER

CITY OF TULSA, OKLAHOMA
ENGINEERING SERVICES DEPARTMENT

SPECIAL TYPE II DROP INLET

| REVISION | BY | DATE |
|----------|----|------|
| | | |
| | | |
| | | |

DATE: MARCH 2022

STD. 792