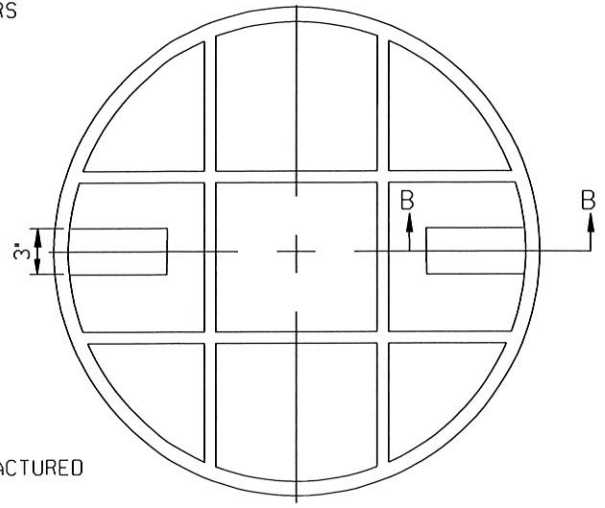


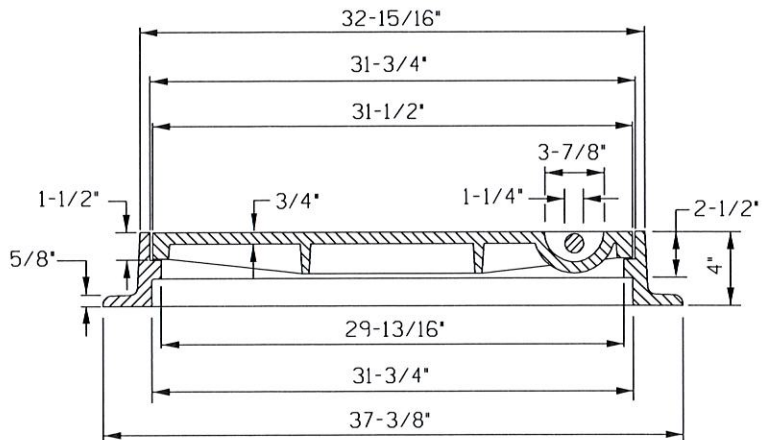
LID AND FRAME - TOP VIEW



LID - BOTTOM VIEW

**NOTE:**


1. FURNISHED WITH MACHINED HORIZONTAL BEARING SURFACE.
2. BACK SIDE OF COVER READS:  
MADE IN USA  
AASHTO A48 35



LID AND FRAME

**NOTE:**

1. BOTTOM REINFORCEMENT CONFIGURATION MAY VARY ACCORDING TO MANUFACTURER. HOWEVER, ALL LIDS AND FRAMES SHALL CONFORM TO AND BE TESTED IN ACCORDANCE WITH THE STANDARD SPECIFICATIONS FOR GRAY IRON CASTINGS, ASTM A48, AND DRAINAGE STRUCTURE CASTINGS, AASHTO DESIGNATION: M306-89. ALL LIDS AND FRAMES SHALL MEET THE PROOF LOAD TEST AS SPECIFIED IN AASHTO DESIGNATION M306-89, REPRESENTING A 2.5 SAFETY FACTOR OVER H-20 AND HS-20 LOADING.
2. STACKING LUGS SHALL BE ADDED, IF REQUIRED TO ALLOW CONVENIENT YARD SPACE.

STANDARD DETAIL FRAME AND LID FOR 4' I.D. AND LARGER SANITARY MANHOLE	
CITY OF TULSA, OKLAHOMA ENGINEERING SERVICES DEPARTMENT	
DRAWN BY: R.M.O.	APPROVED: 
CHECKED BY: HAS	
DATE: MARCH 2022	
NOT TO SCALE	STANDARD NO. 354