

---

**DATE:** March 22, 2023  
**TO:** Paul Zachary, Engineering Services Department Director  
**FROM:** Henry Som de Cerff, Design Manager *HAS*  
**SUBJECT:** Standards and Specifications for 505A & 505B – Standard Meter Can with Rim and Lid

The Specification Review Committee recommends and asks the Engineering Services Department Director to approve the following:

1. Revision of 505A – Standard Meter Can with Rim and Lid for 5/8" x 3/4" and 1" Water Installation for Unpaved Areas.
2. Revision of 505B – Standard Meter Can with Rim and Lid for 5/8", 3/4" and 1" Water Installation for Paved Areas.

Please call me at (918) 596-7355 if you have any questions.

Thank you.

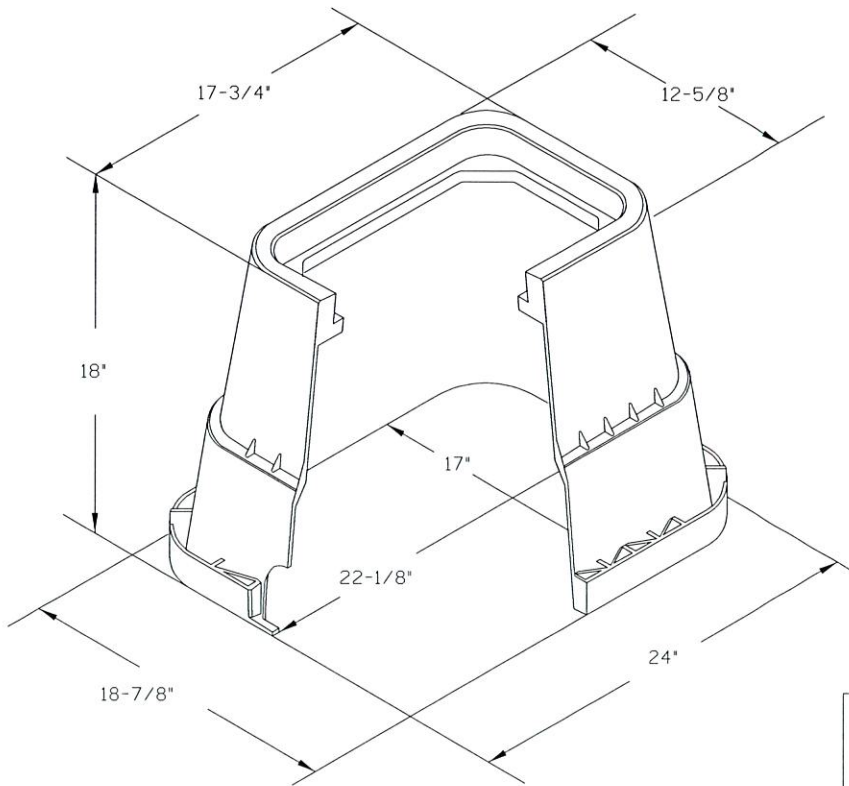
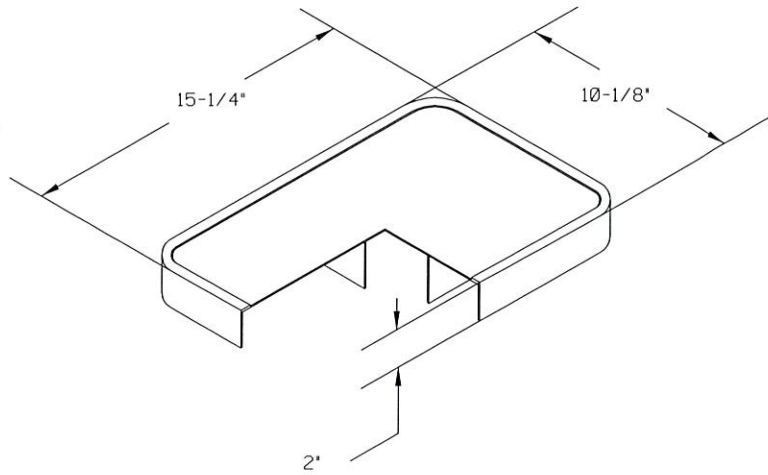
APPROVED:

  
\_\_\_\_\_  
Paul Zachary, Director

*03.24.23*  
\_\_\_\_\_  
Date

Cc: Engineering Services Department Specification Review Committee

PATH NAME: /E1/PARTS/STD/DCN.STDS/505A-METERCAN-UNPAVED.DGN L MV 03/17/2023



NOTE: CARSON 1520

METER CAN WITH RIM AND LID FOR  
5/8", 3/4", AND 1" WATER METER  
INSTALLATION FOR UNPAVED AREAS

CITY OF TULSA, OKLAHOMA  
ENGINEERING SERVICES DEPARTMENT

DRAWN BY: L.M.V.

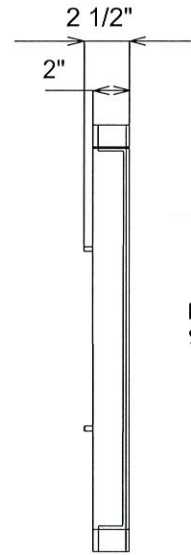
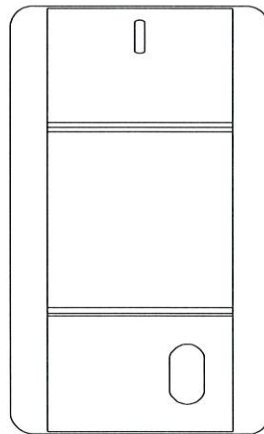
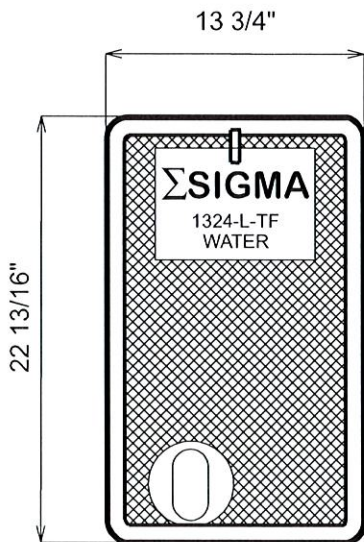
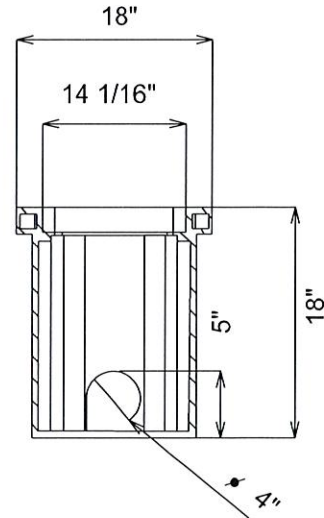
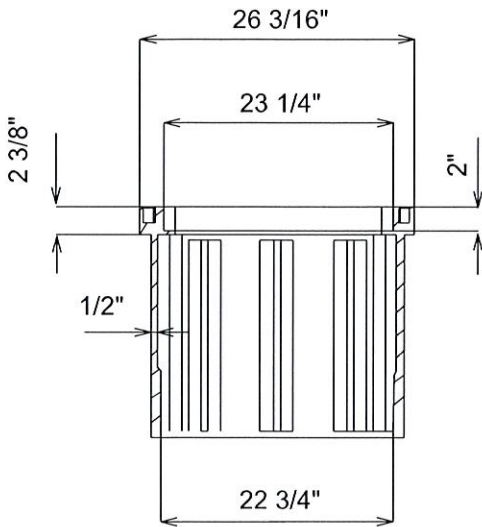
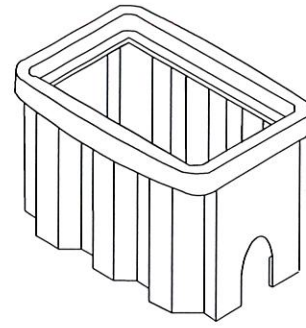
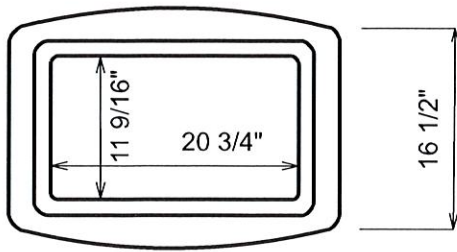
APPROVED

CHECKED BY: *HMS*

DATE: MARCH 2023

NOT TO SCALE

STANDARD NO. 505A



NOTE:  
SIGMA 1324-L-TF

METER CAN WITH RIM AND LID  
FOR 5/8, 3/4, & 1" IN PAVED AREAS

CITY OF TULSA, OKLAHOMA  
ENGINEERING SERVICES DEPARTMENT

DRAWN BY: D.J.N  
CHECKED BY: *HAL*  
DATE: MARCH 2023

APPROVED  
*[Signature]*

NOT TO SCALE

STANDARD NO 505 B