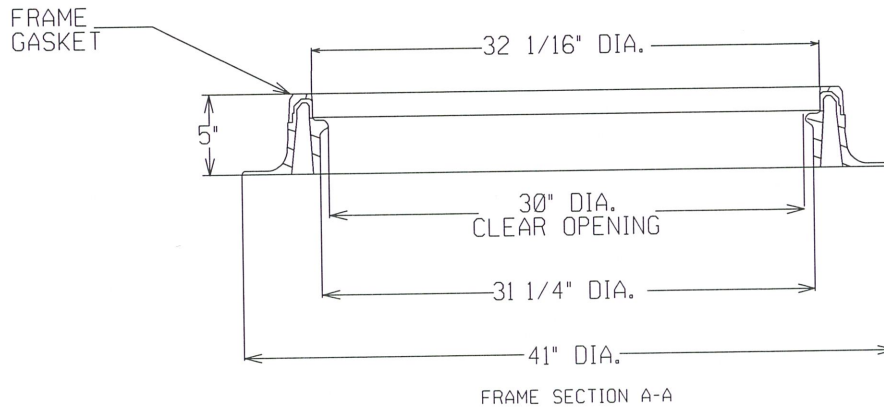
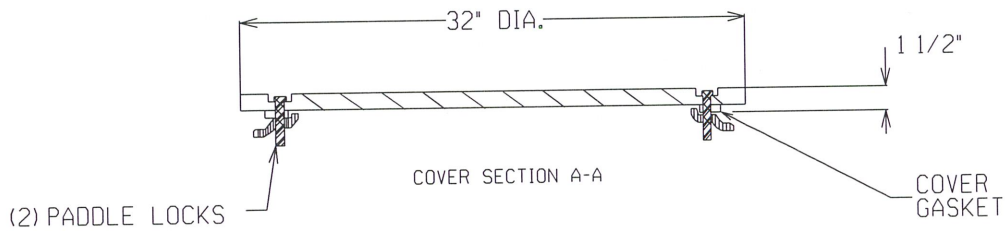
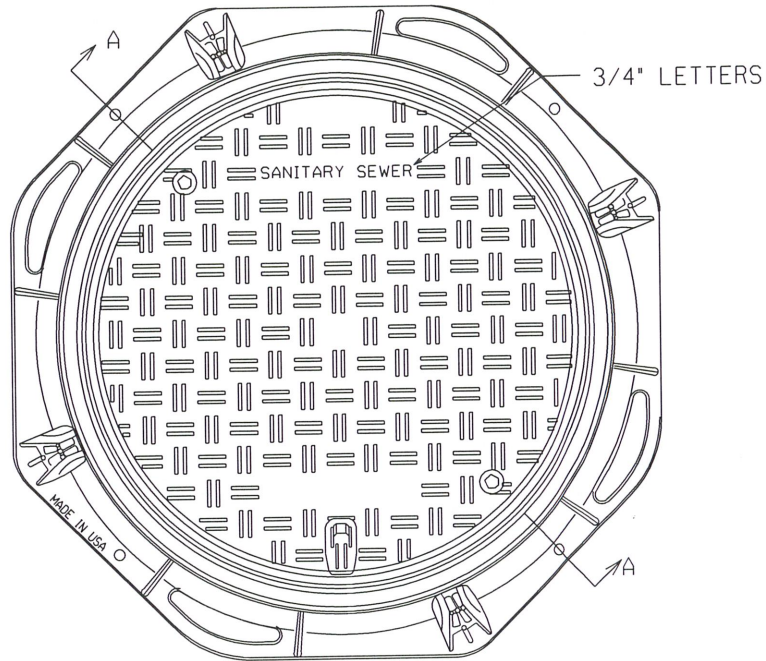



PATH: /e:/ports/std/DCN_std/359-Flood Plain and Cover-Detail.dgn DRB 9/19/2023



NOTE:

1. FRAME AND COVER TO BE 3200 SERIES COMPOSITE UTILITY ACCESS COVER WITH QUARTER TURN PADDLE LOCKS MANUFACTURED BY EJ GROUP, INC. OR ENGINEER APPROVED EQUAL.
2. FRAME AND COVER TO MEET AASHTO M306 AND BE MANUFACTURED IN THE USA.

FRAME AND COVER FOR FLOOD PLAIN APPLICATION	
CITY OF TULSA, OKLAHOMA PUBLIC WORKS DEPARTMENT	
DRAWN BY: D.R.B.	APPROVED
CHECKED BY:	
DATE: SEPT. 2023	
NOT TO SCALE	STANDARD NO. 359