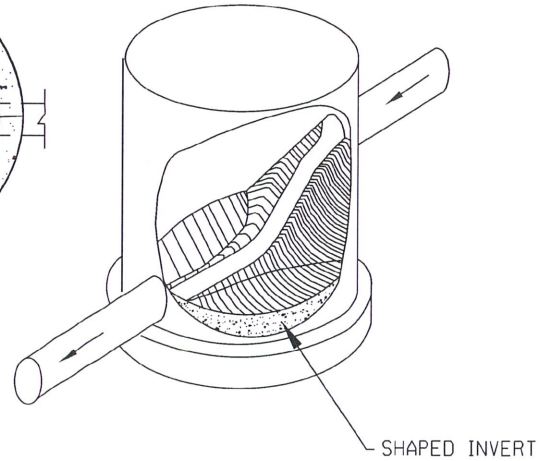
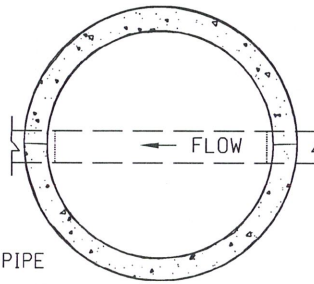
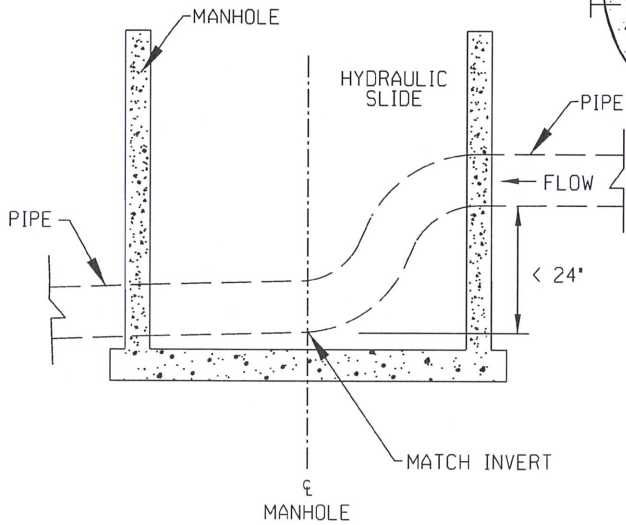



WHEN INSTALLING HYDRAULIC SLIDE THAT INTERCEPTS AN EXISTING SEWER AT A RIGHT ANGLE, THE CONNECTING INVERT OF THE HYDRAULIC SLIDE IS TO INTERCEPT THE EXISTING SEWER SLIGHTLY ABOVE THE SPRINGLINE AS SHOWN. DISTANCE MEASURED FROM INVERT TO INVERT.



WHEN INSTALLING HYDRAULIC SLIDE WHERE THE FLOW IS STRAIGHT THROUGH THE MANHOLE, THE HYDRAULIC SLIDE IS TO MATCH THE INVERT OF EXISTING LINE AND NOT EXTEND MORE THAN HALF-WAY THROUGH THE MANHOLE. DISTANCE MEASURED FROM INVERT TO INVERT.

NOTE:

1. MATERIAL USED TO COMPLETE HYDRAULIC SLIDE SHALL CONFORM TO SECTION 421.2 OF THE CITY OF TULSA CONSTRUCTION SPECIFICATIONS
2. HYDRAULIC SLIDES ARE NOT A SEPARATE PAY ITEM.

HYDRAULIC SLIDE MANHOLE DETAIL	
CITY OF TULSA, OKLAHOMA PUBLIC WORKS DEPARTMENT	
DRAWN BY: D.J.N	APPROVED: 
CHECKED BY:	
DATE: AUGUST 2023	
NOT TO SCALE	STANDARD NO. 370